



SERIES 171N - 172N COMMERCIAL STYLE

Brass ball valve, female/female, full port sizes 1/4" to 4".

- Pressure rating 600 WOG - 150 WSP.
- Temperature to 366°F.
- Blow out proof stem, chrome plated brass ball.
- P.T.F.E. seats, seals, and thrust washer.
- Adjustable stem packing.
- 100% electronically tested in the open and closed position at 80 PSI.

171N - LEVER HANDLE - SIZE 1/4" TO 4".

172N - T HANDLE - SIZE 1/4" TO 1".

171C - NICKEL PLATED - SIZE 1/4" TO 4".

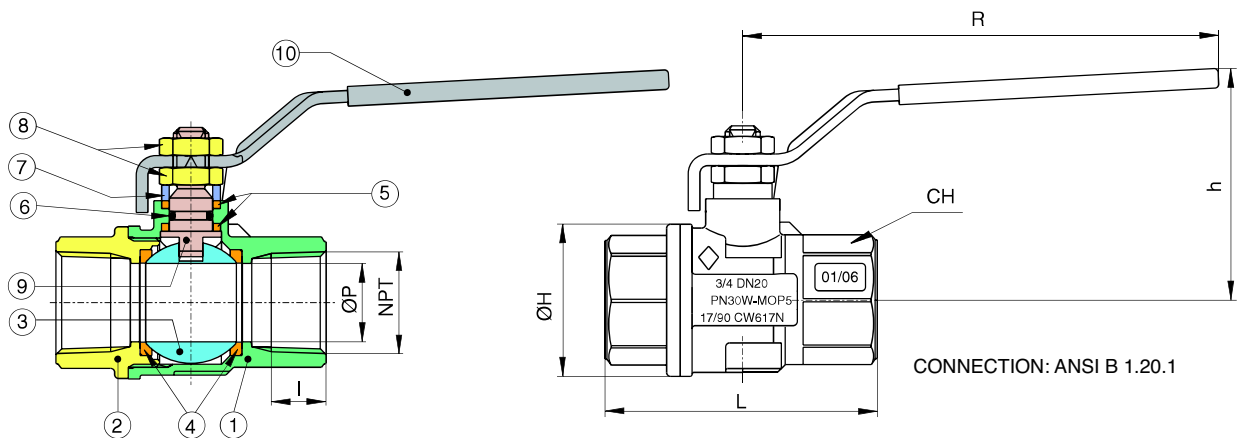
171S - BALL AND STEM IN STAINLESS STEEL AISI 316 - SIZE 1/4" TO 2".



Acc. to
NSF 61
Up to 2"



Up to 2"



The Buna O-ring is fitted to the stem of the valve as the best possible protection against potential gas leakage under extreme duty, or low pressure applications. A secondary PTFE stem seal will also assure that the valve is suitable for use up to 366° F.

N Pos	PART NAME	MATERIAL	N PCS
1	BODY	BRASS CW 617N UNI EN 12165	1
2	END CONNECTION	BRASS CW 617N UNI EN 12165	1
3	BALL	BRASS CW 617N UNI EN 12165	1
4	BALL SEAT	P.T.F.E	2
5	THRUST WASHER/STEM SEAT	P.T.F.E	2
6	O-RING	NBR	1
7	PACKING GLAND	BRASS CW 614N UNI EN 12164	1
8	NUT	Steel 6S	2
9	STEM	BRASS CW 614N UNI EN 12164	1
10	HANDLE	Fe DD11 UNI EN 10111	1

SIZE	ØP	I	L	ØH	CH	R	h	CV	PSI	Lbs
1/4"	0,39	0,39	2,02	0,90	0,78	3,86	1,65	6,29	600	0,33
3/8"	0,39	0,39	2,02	0,90	0,78	3,86	1,65	6,99	600	0,30
1/2"	0,59	0,53	2,44	1,25	0,98	3,86	1,81	19,00	600	0,48
3/4"	0,79	0,55	2,71	1,53	1,22	4,80	2,28	34,40	600	0,79
1"	0,98	0,66	3,07	1,92	1,49	4,80	2,44	50,10	600	1,22
1 1/4"	1,26	0,68	3,42	2,32	1,88	6,02	3,00	103,70	600	2,14
1 1/2"	1,57	0,68	3,89	2,87	2,12	6,02	3,23	268,40	600	3,20
2"	1,95	0,69	4,33	3,38	2,63	6,38	3,74	309,20	600	4,08
2 1/2"	2,40	0,93	5,59	4,37	3,54	8,07	4,84	629,00	600	8,28
3"	2,87	1,01	6,45	5,35	4,13	8,07	5,23	1018,00	600	13,00
4"	3,82	1,09	7,60	6,35	5,12	10,24	6,49	1622,00	600	22,07