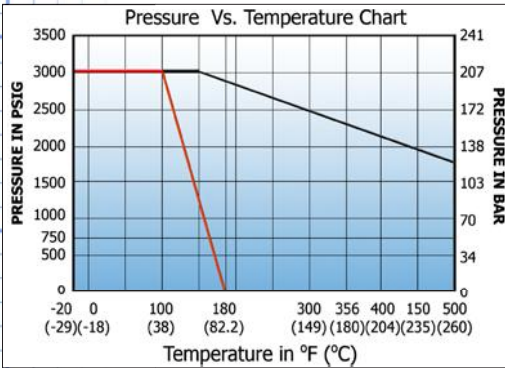


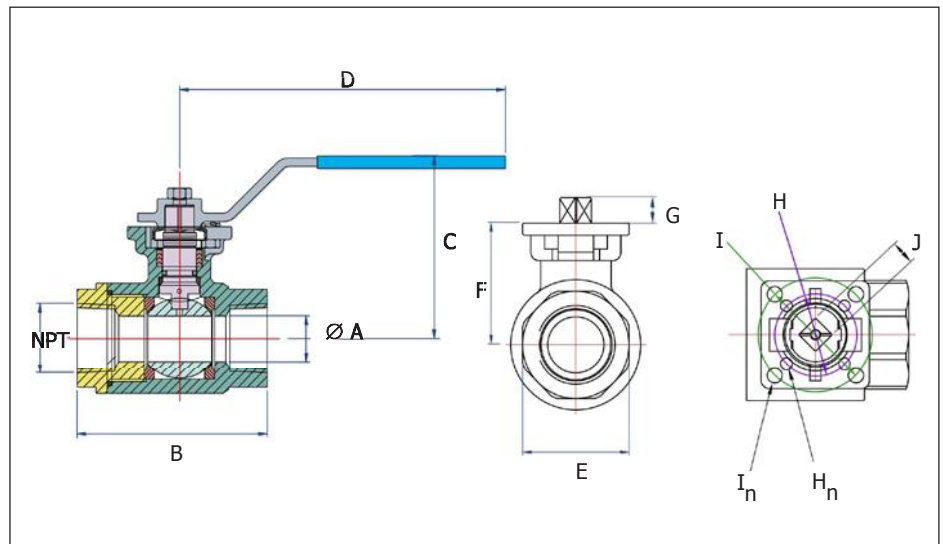
SERIES 3000 3000 PSI 2-Way Carbon Steel FNPT Ball Valve
SERIES 3100 3000 PSI 2-Way Stainless Steel FNPT Ball Valve

Direct Mount 2-Way 2-Piece Ball Valve, Full Port 1/4" to 1-1/2"
 2" Reduced Port

- NACE MR-0175
- ISO-5211 Mounting Pad
- Blow-Out Proof Stem/Anti-Static Design
- Chevron-Style Packing
- Viton Stem O-Ring/HNBR Optional
- Working pressure is up to 3000 psi
- Tested to 4500 Psi
- Temperature range -40° F to 450° F

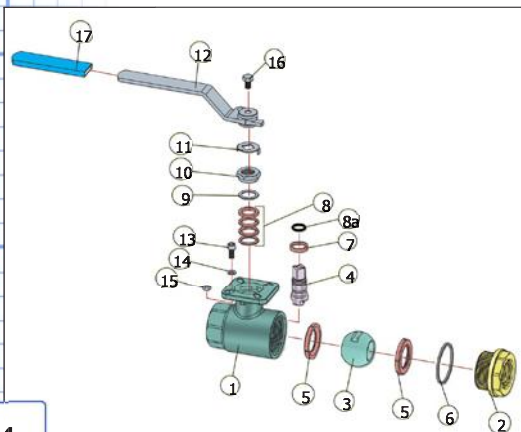


NO.	PART NAME	MATERIAL	N PCS.
1	Body	CF8M/WCB	1
2	End Cap	CF8M/WCB	1
3	Ball	CF8M	1
4	Anti-Static Stem	SS316	1
5	Ball Seat	DELIRIN	2
6	Body Seal	PTFE	1
7	Thrust Washer	PTFE	1
8	Stem Packing	PTFE	1
8a	O-Ring	VITON	1
9	Thrust Washer	50%SS/50%PTFE	1
10	Stem Nut	SS304	1
11	Lock Saddle	SS304	1
12	Handle	SS304	1
13	Stop Bolt	SS304	1
14	Stop Nut	SS304	1
15	Stop Washer	SS304	1
16	Handle Bold	SS304	1
17	Handle Sleeve	VINYL	1



DIMENSIONS (in)

Size	Ø A	B	C	D	E	F	G	H	H _n	I	I _n	J	Cv	Break Torque in/Lb	W (Lb)
1/4"	0.38	2.95	2.31	6.30	1.02	1.61	0.31	F03 1.42"	0.22	F04 1.65"	0.22	0.35	5.3	104	1.4
3/8"	0.38	2.95	2.31	6.30	1.02	1.61	0.31	F03 1.42"	0.22	F04 1.65"	0.22	0.35	8	104	1.4
1/2"	0.50	2.95	2.31	6.30	1.28	1.61	0.31	F03 1.42"	0.22	F04 1.65"	0.22	0.35	19	130	1.5
3/4"	0.69	3.19	2.60	6.30	1.51	1.72	0.31	F03 1.42"	0.22	F04 1.65"	0.22	0.35	35	156	2.0
1"	0.87	3.58	3.02	6.30	1.86	2.11	0.39	F04 1.65"	0.28	F05 1.97"	0.24	0.43	50	208	3.1
1-1/4"	1.14	4.33	3.19	6.30	2.32	2.32	0.39	F04 1.65"	0.28	F05 1.97"	0.24	0.43	110	390	4.8
1-1/2"	1.37	4.76	3.84	8.27	2.96	2.96	0.51	F05 1.97"	0.36	F07 2.76"	0.28	0.55	180	468	8.1
2"	1.37	5.71	4.14	8.27	2.96	2.96	0.51	F05 1.97"	0.36	F07 2.76"	0.28	0.55	210	468	10.5

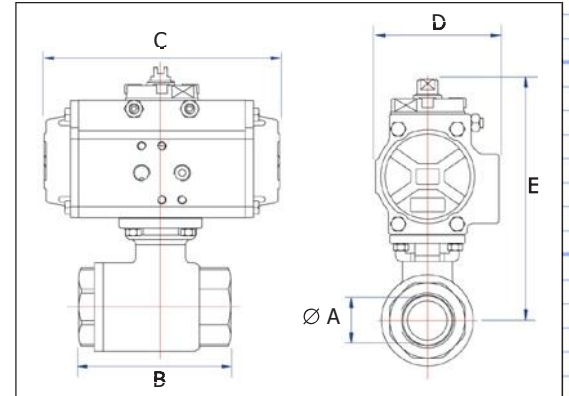


8P3000 3000PSI Direct Mount, 2-Way Carbon Steel Ball Valve with DA Pneumatic Actuator

8P3100 3000PSI Direct Mount, 2-Way S.S. Ball Valve with DA Pneumatic Actuator

8P3002 3000PSI Direct Mount, 2-Way Carbon Steel Ball Valve with SR Pneumatic Actuator

8P3102 3000PSI Direct Mount, 2-Way S.S. Steel Ball Valve with SR Pneumatic Actuator



VALVE WITH DOUBLE ACTING ACTUATOR

Size	Ø A	B	C	D	E	Wt.	Act.
1/4"	0.38	2.95	5.49	2.80	5.13	3.6	DA52
3/8"	0.38	2.95	5.49	2.80	5.13	3.6	DA52
1/2"	0.50	2.95	5.49	2.80	5.13	3.7	DA52
3/4"	0.69	3.19	5.49	2.80	5.24	4.2	DA52
1"	0.87	3.58	6.38	3.17	6.07	6.4	DA63
1-1/4"	1.14	4.33	8.15	3.72	6.93	10.3	DA75
1-1/2"	1.37	4.76	8.15	3.72	7.57	13.6	DA75
2"	1.37	5.71	8.15	3.72	7.57	16.0	DA75

Dimensions (in)

VALVE WITH SPRING RETURN ACTUATOR

Size	Ø A	B	C	D	E	Wt.	Act.
1/4"	0.38	2.95	5.49	2.80	5.57	11.2	SR63
3/8"	0.38	2.95	5.49	2.80	5.57	11.2	SR63
1/2"	0.50	2.95	5.49	2.80	8.72	18.4	SR75 *
3/4"	0.69	3.19	5.49	2.80	8.83	21.0	SR75 *
1"	0.87	3.58	6.38	3.17	7.17	18.9	SR85
1-1/4"	1.14	4.33	8.15	3.72	10.39	27.7	SR100 *
1-1/2"	1.37	4.76	8.15	3.72	9.71	35.4	SR115
2"	1.37	5.71	8.15	3.72	9.71	37.6	SR115

Dimensions (in)

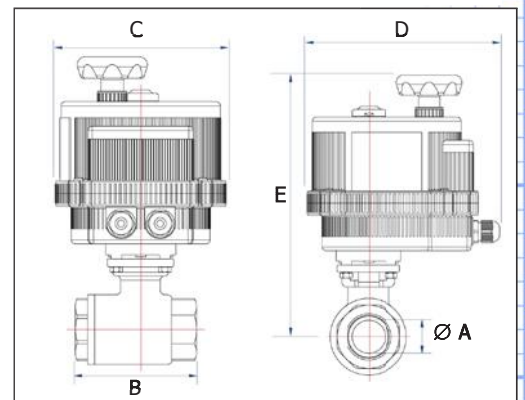
* = Denotes Use of a Bracket

8E3000-*** 3000PSI Direct Mount, 2-Way Carbon Steel Ball Valve with Electric Actuator

8E3100-*** 3000PSI Direct Mount, 2-Way S.S. Ball Valve with Electric Actuator



*** = Electric Supply Order Suffix	
Standard	
12VDC	001
24V AC/DC	002
100-240VAC	003
Fail Safe	
12VDC	N/A
24V AC/DC	012
100-240VAC	013
Positioner	
12VDC	021
24V AC/DC	022
100-240VAC	023



VALVE WITH ELECTRIC ACTUATOR

Size	Ø A	B	C	D	E	Wt.	Act.
1/4"	0.38	2.95	4.84	6.41	7.18	8.2	VB015
3/8"	0.38	2.95	4.84	6.41	7.18	8.2	VB015
1/2"	0.50	2.95	7.40	7.50	9.01	10.2	VB030
3/4"	0.69	3.19	7.40	7.50	9.12	10.3	VB030
1"	0.87	3.58	7.40	7.50	9.51	11.2	VB030
1-1/4"	1.14	4.33	8.46	8.43	10.8	14.2	VB060
1-1/2"	1.37	4.76	8.46	8.43	11.4	14.9	VB060
2"	1.37	5.71	8.46	8.43	11.4	17.3	VB060

Dimensions (in)