

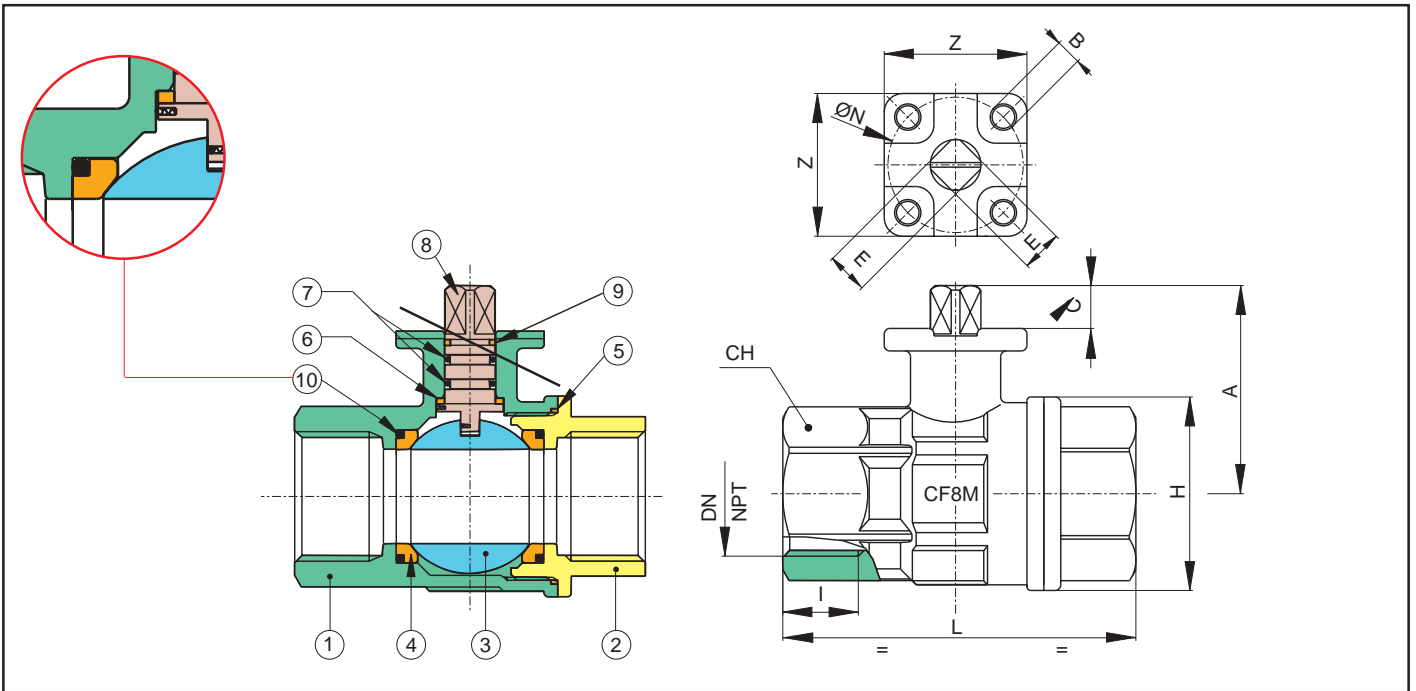


## SERIES 700076 STAINLESS STEEL DIRECT MOUNT BALL VALVE

2 pc stainless steel ASTM A351 - CF8M ball valve, with ISO 5211 pad.

- Full port sizes 1/2" to 2".
- Pressure rating 1000 PSI WOG - 150 PSI steam.
- Temperature to 366°F.
- Blow out proof stem.
- P.T.F.E. seats with O-RING backing for low operating torque.
- P.T.F.E. seals and double O-RING stem packing.

- 100% electronically tested in the open and closed position at 80 PSI.



N Pos	PART NAME	MATERIALS	N PCS
1	BODY	CF8M	1
2	END CONNECTION	CF8M	1
3	BALL	AISI 316 - CF8M	1
4	BALL SEAT	P.T.F.E.	2
5	SEAT	P.T.F.E.	1
6	STEM SEAL	P.T.F.E.	1
7	O-RING	FKM (Viton®)	2
8	STEM	AISI 316	1
9	STEM SEAT	P.T.F.E.	1
10	O-RING	FKM (Viton®)	2

SIZE	I	L	H	CH	A	C	E	N	B	Z	CV	PSI	Lbs	
<b>1/2"</b>	in	0.59	2.63	1.35	1.06	1.63	0.35	0.35	1.41	0.23	1.49	16.3	1000	0.68
<b>3/4"</b>	in	0.64	3.07	1.65	1.25	1.71	0.35	0.35	1.41	0.23	1.49	29.5	1000	0.91
<b>1"</b>	in	0.75	3.54	2.02	1.61	2.10	0.35	0.35	1.41	0.23	1.49	43.00	1000	1.35
<b>1"1/4</b>	in	0.84	3.93	2.53	1.96	2.24	0.35	0.35	1.41	0.23	1.49	89.00	1000	2.22
<b>1"1/2</b>	in	0.84	4.40	3.03	2.16	2.91	0.43	0.43	1.96	0.27	1.96	230.00	1000	3.69
<b>2"</b>	in	1.01	5.31	3.81	2.75	3.27	0.43	0.43	1.96	0.27	1.96	265.00	1000	6.49