



SERIES 380S - 380SM MINI BALL VALVE

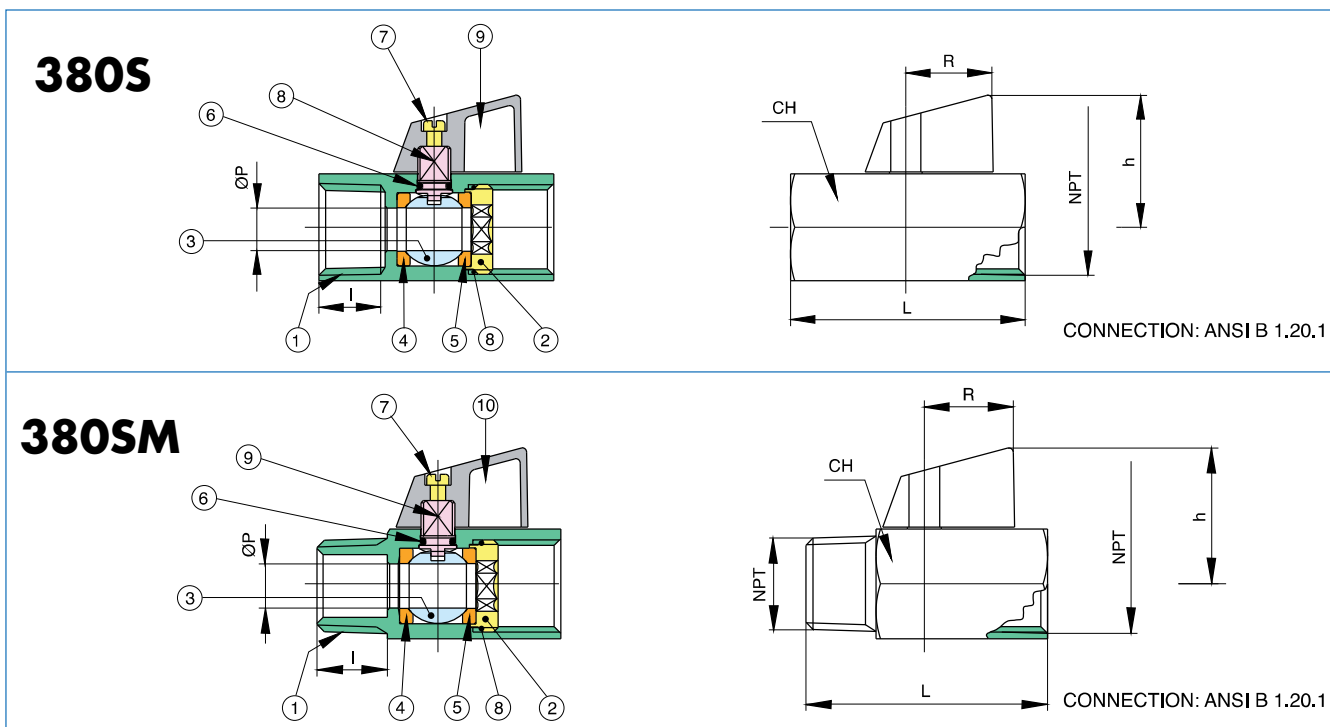
316 stainless steel ball valve - Mini series, standard port from 1/4" to 1/2".

- Pressure rating 800 psi WOG.
- Temperature to 350°F.
- Stem O-ring viton, seal P.T.F.E
- P.T.F.E. seats.
- Stainless steel body, ball and stem.
- Wedge Lever handle.

380S: FEMALE-FEMALE

380SM: MALE-FEMALE

NEW



N Pos	PART NAME	MATERIAL	N PCS
1	BODY	AISI 316	1
2	RETAINING BUSH	AISI 316	1
3	BALL	AISI 316	1
4	BALL SEAT	P.T.F.E	1
5	BALL SEAT	P.T.F.E	1
6	O-RING	VITON	1
7	SCREW	SS304	1
8	O-RING	VITON	1
9	STEM	AISI316	1
10	HANDLE	ABS	1

SIZE	ØP	CH	l	h	L	R	CV	psi	Lbs 380S	Lbs 380SM
1/4"	0.31	0.82	0.39	1.16	1.69	0.80	5.00	450	0.42	0.36
3/8"	0.31	0.82	0.40	1.16	1.69	0.80	3.13	450	0.37	0.35
1/2"	0.39	0.98	0.53	1.24	2.16	0.80	6.26	450	0.37	0.35

