

3900 Series

Two Piece Ball Valves

Features & Benefits

- High pressure, seal-welded 3000 psi valve
- In sizes 1/4" through 1-1/2" 3000 psi full port; 2" 3000 psi reduced port
- Available in stainless steel or carbon steel
- ASME B16.34
- Body and end cap are investment cast
- Self-adjusting stem packing
- 100% air tested under water
- API 608 compliant
- ISO 5211 mounting pad
- NACE MR-01-75 compliant
- Seal weld for safety
- End connections: threaded, socket weld, BSP



Ordering Schematic



Series
39 Series



Size
1/4" (F.P.)
3/8" (F.P.)
1/2" (F.P.)
3/4" (F.P.)
1" (F.P.)
1-1/4" (F.P.)
1-1/2" (F.P.)
2" (R.P.)



Material
CS Carbon Steel
SS Stainless Steel



Port Design
F Full Port
R Red. Port



Packing
D Delrin
T Teflon



Seat
D Delrin
P Peek



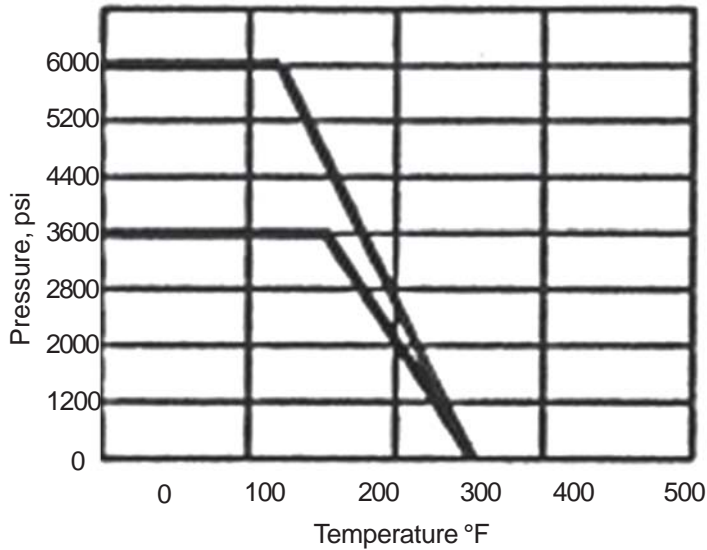
End Connections
S Threaded
SW Socket Weld
B BSP

J-Flow

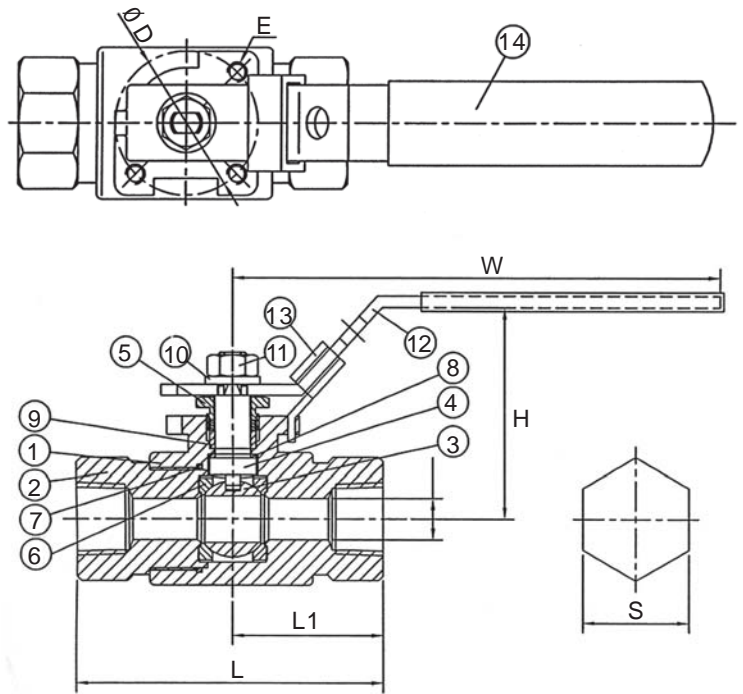
J-Flow
1776 Mentor Avenue • Norwood, OH 45212
Phone 513-731-2900 • Fax 513-731-6939
www.jflowcontrols.com

Engineering

Pressure-Temperature Chart



Materials of Construction



Materials of Construction

Part	Description	Material	Quantity	Part	Description	Material	Quantity
1	Body	CF8M or WCB	1	8	Thrust Washer	PEEK	1
2	End Cap	CF8M or WCB	1	9	Stem Packing	Delrin	1
3	Ball	A351 CF8M	1	10	Lock Washer	304 SS	1
4	Stem	AISI 316	1	11	Handle Nut	304 SS	1
5	Packing Nut	AISI 316	1	12	Handle Assembly	304 SS	1
6	Seat	Delrin	2	13	Conical Washer	316 SS	1
7	End Cap Seal	Graphite	1	14	Plastic Cover	Plastic	1

Dimensions

Size	Ø A	Ø D	L	L1	H	W	S	E	
1/4"	0.25	1.42	2.99	1.50	2.05	5.22	1.25	1/4" - 20 UNC	
3/8"	0.38	1.42	2.99	1.50	2.05	5.22	1.25	1/4" - 20 UNC	
1/2"	0.50	1.42	3.98	1.97	2.09	5.22	1.25	1/4" - 20 UNC	
3/4"	0.75	1.65	4.25	2.13	2.70	5.91	1.81	1/4" - 20 UNC	
1"	1.00	1.65	4.53	2.24	2.78	5.91	2.25	1/4" - 20 UNC	
1-1/4"	1.25	1.97	4.76	2.38	3.31	7.17	2.67	1/4" - 20 UNC	
1-1/2"	1.50	1.97	5.28	2.64	3.49	7.17	3.00	3.50	1/4" - 20 UNC
2"	1.50	1.97	6.22	3.11	3.54	7.17	3.00	3.50	1/4" - 20 UNC