

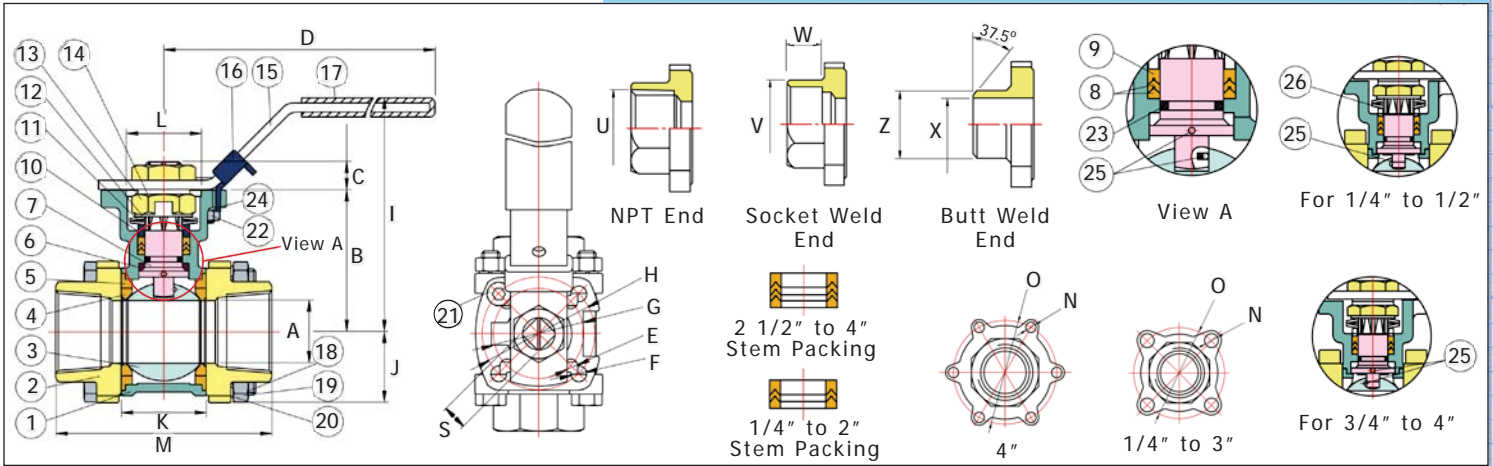
SERIES 620LL (FNPT) -621LL(SW) -622LL (BW)

Direct Mount 3-Piece WCB Full Port Ball Valve with Locking Lever

SERIES 720LL (FNPT) -721LL(SW) -722LL (BW)

Direct Mount 3-Piece CF8M Full Port Ball Valve with Locking Lever

- Direct Mount ISO5211/DIN3337 for Automation
- TFM1600 Ball Seat -0°F to 440°F Temperature Range
- Thermal Relief Hole in Ball - Anti-Static Design
- Multi-Layer V-Ring Adjustable Stem Packing
- Self-Loading Belleville Stem Packing Washer
- In-Line Swing-Out Design for Easy Maintenance
- Dual Actuator Mounting Hole Patterns
- Multi-Direction Square Drive Locking Lever
- Pressure Rating: 1/4" to 2" 1000PSI, 2-1/2" to 4" 800PSI
- 150 WSP



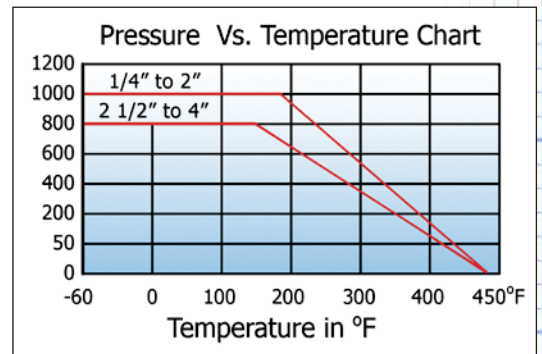
NO.	PART NAME	MATERIAL	Qty
1	Body	CF8M/WCB	1
2	End Cap	CF8M/WCB	2
3	Ball	SS316	1
4	Seat	TFM1600	2
5	Joint Gasket	PTFE	2
6	Stem Seal	RTFE	1
7	Stem	SS316	1
8	Stem Packing	PTFE	1
9	Stem Packing	25% Fiberglass+PTFE	*
10	Gland	SS304	1
11	Belleville Washer	SS304	2
12	Lock Saddle	SS304	1
13	Stem Nut	SS304	2
14	Stem washer	SS304	1
15	Handle	SS304	1
16	Locking Device	SS304	1
17	Handle Sleeve	VINYL	1
18	Bolt	SS304	*
19	Bolt Nut	SS304	*
20	Blot Washer	SS304	*
21	Stop Pin	SS304	1
22	Pin Nut	SS304	1
23	O-Ring	VITON	1
24	Washer	SS304	1
25	Anti-Static Device	SS316	1
26	Spring	SS316	1

* Varies with Size

Models 721LL & 722LL use 316L End Caps

End Cap Dimensions

Size	U	V	W	X	Z
1/4"		N/A	N/A	N/A	N/A
3/8"		N/A	N/A	N/A	N/A
1/2"		0.88	0.39	0.59	0.89
3/4"		1.09	0.51	0.82	1.08
1"	NPT	1.35	0.51	1.00	1.34
1 1/4"		1.70	0.51	1.38	1.68
1 1/2"		1.94	0.51	1.50	1.91
2"		2.44	0.63	1.97	2.38
2 1/2"		3.01	0.63	2.56	3.00
3"		3.52	0.63	3.09	3.54
4"		4.52	0.79	4.06	4.57



Size	Ø A	B	C	D	Ø E	Ø F	Ø G	H	I	J	K	L	M	Ø N	Ø O	S in	S mm	Cv	in/Lbs	ISO5211
1/4"	0.46	1.66	0.25	5.47	0.24	0.24	1.42	1.65	3.03	0.92	0.93	0.98	2.51	1.81	0.34	0.35	9	8	55	F03/F04
3/8"	0.50	1.66	0.25	5.47	0.24	0.24	1.42	1.65	3.03	0.92	0.93	0.98	2.51	1.81	0.34	0.35	9	10	55	F03/F04
1/2"	0.59	1.66	0.25	5.47	0.24	0.24	1.42	1.65	3.03	0.92	0.93	0.98	2.59	1.81	0.34	0.35	9	15	55	F03/F04
3/4"	0.79	1.89	0.27	5.47	0.24	0.24	1.42	1.65	3.27	1.00	1.10	0.98	3.00	2.05	0.34	0.35	9	34	69	F03/F04
1"	0.98	2.23	0.44	6.45	0.24	0.28	1.65	1.97	3.78	1.11	1.34	1.18	3.39	2.36	0.34	0.43	11	56	127	F04/F05
1 1/4"	1.26	2.34	0.44	6.45	0.24	0.28	1.65	1.97	3.94	1.36	1.67	1.18	4.05	2.89	0.43	0.43	11	85	173	F04/F05
1 1/2"	1.50	3.05	0.56	8.47	0.30	0.35	1.97	2.76	5.00	1.55	2.10	1.38	4.70	3.37	0.47	0.55	14	125	243	F05/F07
2"	1.97	3.35	0.56	8.47	0.30	0.35	1.97	2.76	5.28	1.86	2.54	1.38	5.17	4.09	0.52	0.55	14	250	346	F05/F07
2 1/2"	2.56	4.28	0.67	11.81	0.39	0.47	2.76	4.02	6.58	2.30	3.43	2.17	6.46	5.12	0.60	0.67	17	320	518	F07/F10
3"	3.15	4.63	0.67	14.57	0.39	0.47	2.76	4.02	6.93	2.72	3.90	2.17	7.19	6.12	0.68	0.67	17	580	806	F07/F10
4"	3.94	5.22	0.67	14.57	0.39	0.47	2.76	4.02	7.56	3.76	5.00	2.17	9.28	7.40	0.68	0.67	17	1020	1094	F07/F10

8P0620 (NPT) - 8P0621 (NPT)
8P0622 (S/W) - 8P0623 (S/W)
8P0624 (B/W) - 8P0625 (B/W)

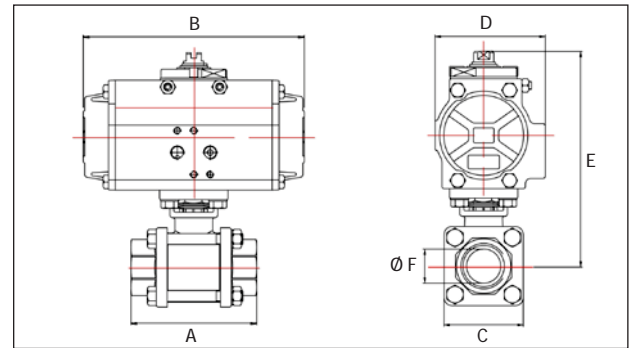
1000PSI Direct Mount, 2-Way 3-Piece Carbon Steel Ball Valve with Pneumatic Actuator



8P0620 NPT
8P0622 S/W
8P0624 B/W

VALVE WITH DOUBLE ACTING ACTUATOR

Size	A	B	C	D	E	ØF	Stem	ACT.	ISO	Wt/Lbs
1/4"	2.54	4.33	4.74	1.77	3.43	0.46	0.35	DA32	F03	2.5
3/8"	2.51	4.33	4.74	4.84	3.43	0.50	0.35	DA32	F03	2.5
1/2"	2.59	4.33	4.74	4.84	3.43	0.59	0.35	DA32	F03	2.6
3/4"	3.00	4.33	4.74	4.84	3.66	0.79	0.35	DA32	F03	2.9
1"	3.39	5.49	4.74	2.80	5.75	0.98	0.43	DA52	F05	5.1
1 1/4"	4.05	5.49	5.12	2.80	5.86	1.26	0.43	DA52	F05	6.6
1 1/2"	4.70	6.38	5.12	3.17	7.01	1.50	0.55	DA63	F07	10.3
2"	5.17	6.38	5.77	3.17	7.31	1.97	0.55	DA63	F07	16.8
2 1/2"	6.46	8.15	5.77	3.72	8.89	2.56	0.67	DA75	F07	25.6
3"	7.19	9.35	6.02	4.17	9.69	3.15	0.67	DA85	F07	34.6
4"	9.28	10.69	6.02	4.84	10.79	3.98	0.67	DA100	F10	58.5



8P0621 NPT
8P0623 S/W
8P0625 B/W

VALVE WITH SPRING RETURN ACTUATOR

Size	A	B	C	D	E	ØF	Stem	ACT.	ISO	Wt/Lbs
1/4"	2.54	5.49	4.74	2.80	5.18	0.46	0.35	SR52	F03	4.1
3/8"	2.51	5.49	4.74	2.80	5.18	0.50	0.35	SR52	F03	4.1
1/2"	2.59	5.49	4.74	2.80	5.18	0.59	0.35	SR52	F03	4.1
3/4"	3.00	6.38	4.74	3.17	5.85	0.79	0.35	SR63	F03	5.8
1"	3.39	8.15	4.74	3.72	6.84	0.98	0.43	SR75	F05	9.7
1 1/4"	4.05	8.15	5.12	3.72	6.95	1.26	0.43	SR75	F05	11.2
1 1/2"	4.70	9.35	5.12	4.17	8.11	1.50	0.55	SR85	F07	16.4
2"	5.17	10.69	5.77	4.84	8.92	1.97	0.55	SR100	F07	24.6
2 1/2"	6.46	12.91	5.77	5.39	11.03	2.56	0.67	SR115	F07	44.0
3"	7.19	14.41	6.02	5.83	11.85	3.15	0.67	SR125	F07	54.1
4"	9.28	16.85	6.02	6.46	13.33	3.98	0.67	SR140	F10	92.8

8P0720 (NPT) - 8P0721 (NPT)
8P0722 (S/W) - 8P0723 (S/W)
8P0724 (B/W) - 8P0725 (B/W)

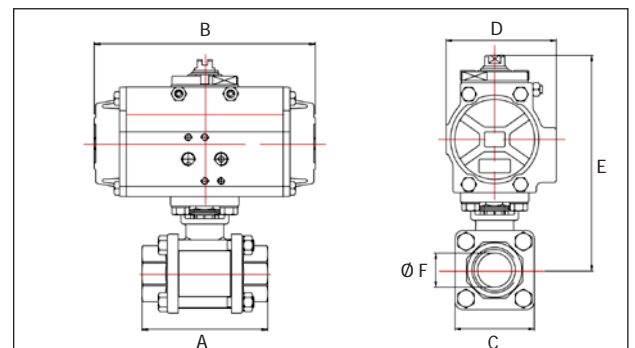
1000PSI Direct Mount, 2-Way 3-Piece Stainless Steel Ball Valve with Pneumatic Actuator



8P0720 NPT
8P0722 S/W
8P0724 B/W

VALVE WITH DOUBLE ACTING ACTUATOR

Size	A	B	C	D	E	F	Stem	ACT.	ISO	Wt/Lbs
1/4"	2.54	4.33	4.74	1.77	3.43	0.46	0.35	DA32	F03	2.5
3/8"	2.51	4.33	4.74	4.84	3.43	0.50	0.35	DA32	F03	2.5
1/2"	2.59	4.33	4.74	4.84	3.43	0.59	0.35	DA32	F03	2.6
3/4"	3.00	4.33	4.74	4.84	3.66	0.79	0.35	DA32	F03	2.9
1"	3.39	5.49	4.74	2.80	5.75	0.98	0.43	DA52	F05	5.1
1 1/4"	4.05	5.49	5.12	2.80	5.86	1.26	0.43	DA52	F05	6.6
1 1/2"	4.70	6.38	5.12	3.17	7.01	1.50	0.55	DA63	F07	10.3
2"	5.17	6.38	5.77	3.17	7.31	1.97	0.55	DA63	F07	16.8
2 1/2"	6.46	8.15	5.77	3.72	8.89	2.56	0.67	DA75	F07	25.6
3"	7.19	9.35	6.02	4.17	9.69	3.15	0.67	DA85	F07	34.6
4"	9.28	10.69	6.02	4.84	10.79	3.98	0.67	DA100	F10	58.5

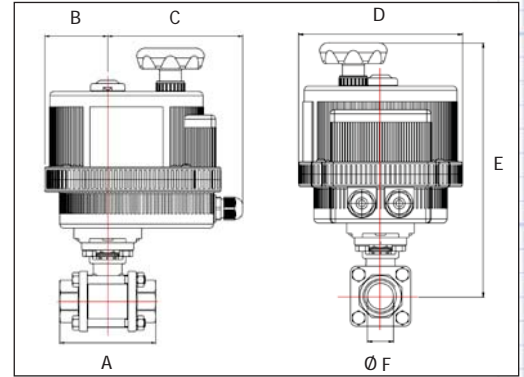


8P0721 NPT
8P0723 S/W
8P0725 B/W

VALVE WITH SPRING RETURN ACTUATOR

Size	A	B	C	D	E	F	Stem	ACT.	ISO	Wt/Lbs
1/4"	2.54	5.49	4.74	2.80	5.18	0.46	0.35	SR52	F03	4.1
3/8"	2.51	5.49	4.74	2.80	5.18	0.50	0.35	SR52	F03	4.1
1/2"	2.59	5.49	4.74	2.80	5.18	0.59	0.35	SR52	F03	4.1
3/4"	3.00	6.38	4.74	3.17	5.85	0.79	0.35	SR63	F03	5.8
1"	3.39	8.15	4.74	3.72	6.84	0.98	0.43	SR75	F05	9.7
1 1/4"	4.05	8.15	5.12	3.72	6.95	1.26	0.43	SR75	F05	11.2
1 1/2"	4.70	9.35	5.12	4.17	8.11	1.50	0.55	SR85	F07	16.4
2"	5.17	10.69	5.77	4.84	8.92	1.97	0.55	SR100	F07	24.6
2 1/2"	6.46	12.91	5.77	5.39	11.03	2.56	0.67	SR115	F07	44.0
3"	7.19	14.41	6.02	5.83	11.85	3.15	0.67	SR125	F07	54.1
4"	9.28	16.85	6.02	6.46	13.33	3.98	0.67	SR140	F10	92.8

8E0620 (NPT) 1000PSI Direct Mount, 2-Way 3-Piece Carbon Steel Ball Valve
8E0621 (S/W) with Electric On/Off Actuator
8E0622 (B/W)



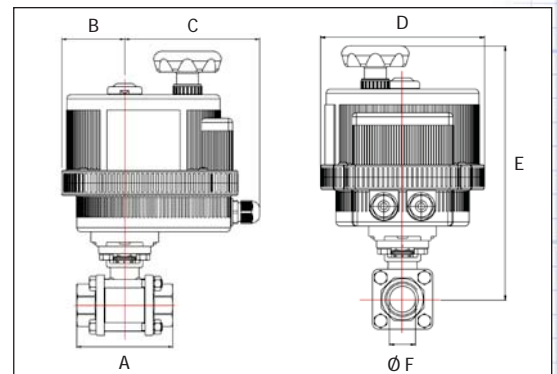
8E0620 NPT
8E0621 S/W
8E0622 B/W

*** = Electric Supply Order Suffix	
Standard	
12VDC	001
24V AC/DC	002
100-240VAC	003
Fail Safe	
12VDC	N/A
24V AC/DC	012
100-240VAC	013
Positioner	
12VDC	021
24V AC/DC	022
100-240VAC	023

VALVE WITH ON/OFF ELECTRICALLY ACTUATED

Size	A	B	C	D	E	ØF	Stem	ACT.	ISO	Wt/Lbs
1/4"	2.54	1.67	4.74	4.84	7.23	0.46	0.35	VB015	F03	4.5
3/8"	2.51	1.67	4.74	4.84	7.23	0.50	0.35	VB015	F03	4.5
1/2"	2.59	1.67	4.74	4.84	7.23	0.59	0.35	VB015	F03	4.5
3/4"	3.00	1.67	4.74	4.84	7.46	0.79	0.35	VB015	F03	4.9
1"	3.39	1.69	4.74	4.84	7.80	0.98	0.43	VB015	F05	5.9
1 1/4"	4.05	2.38	5.12	6.18	9.74	1.26	0.43	VB030	F05	9.4
1 1/2"	4.70	2.38	5.12	6.18	10.45	1.50	0.55	VB030	F05	12.1
2"	5.17	2.66	5.77	7.28	11.81	1.97	0.55	VB060	F07	17.6
2 1/2"	6.46	2.66	5.77	7.28	12.74	2.56	0.67	VB060	F07	27.4
3"	7.19	3.31	6.02	8.31	13.77	3.15	0.67	VB110	F07	38.0
4"	9.28	3.31	6.02	8.31	14.36	3.98	0.67	VB190	F07	58.3

8E0720 (NPT) 1000PSI Direct Mount, 2-Way 3-Piece Stainless Steel Ball Valve
8E0721 (S/W) with Electric On/Off Actuator
8E0722 (B/W)



8E0720 NPT
8E0721 S/W
8E0722 B/W

VALVE WITH ON/OFF ELECTRICALLY ACTUATED

Size	A	B	C	D	E	F	Stem	ACT.	ISO	Wt/Lbs
1/4"	2.54	1.67	4.74	4.84	7.23	0.46	0.35	VB015	F03	4.5
3/8"	2.51	1.67	4.74	4.84	7.23	0.50	0.35	VB015	F03	4.5
1/2"	2.59	1.67	4.74	4.84	7.23	0.59	0.35	VB015	F03	4.5
3/4"	3.00	1.67	4.74	4.84	7.46	0.79	0.35	VB015	F03	4.9
1"	3.39	1.69	4.74	4.84	7.80	0.98	0.43	VB015	F05	5.9
1 1/4"	4.05	2.38	5.12	6.18	9.74	1.26	0.43	VB030	F05	9.4
1 1/2"	4.70	2.38	5.12	6.18	10.45	1.50	0.55	VB030	F05	12.1
2"	5.17	2.66	5.77	7.28	11.81	1.97	0.55	VB060	F07	17.6
2 1/2"	6.46	2.66	5.77	7.28	12.74	2.56	0.67	VB060	F07	27.4
3"	7.19	3.31	6.02	8.31	13.77	3.15	0.67	VB110	F07	38.0
4"	9.28	3.31	6.02	8.31	14.36	3.98	0.67	VB190	F07	58.3

Also Available with Aluminum Actuator and Nema7 Explosion Proof Electric Actuator