



SERIES 610LL WCB-FNPT - 710LL CF8M-FNPT

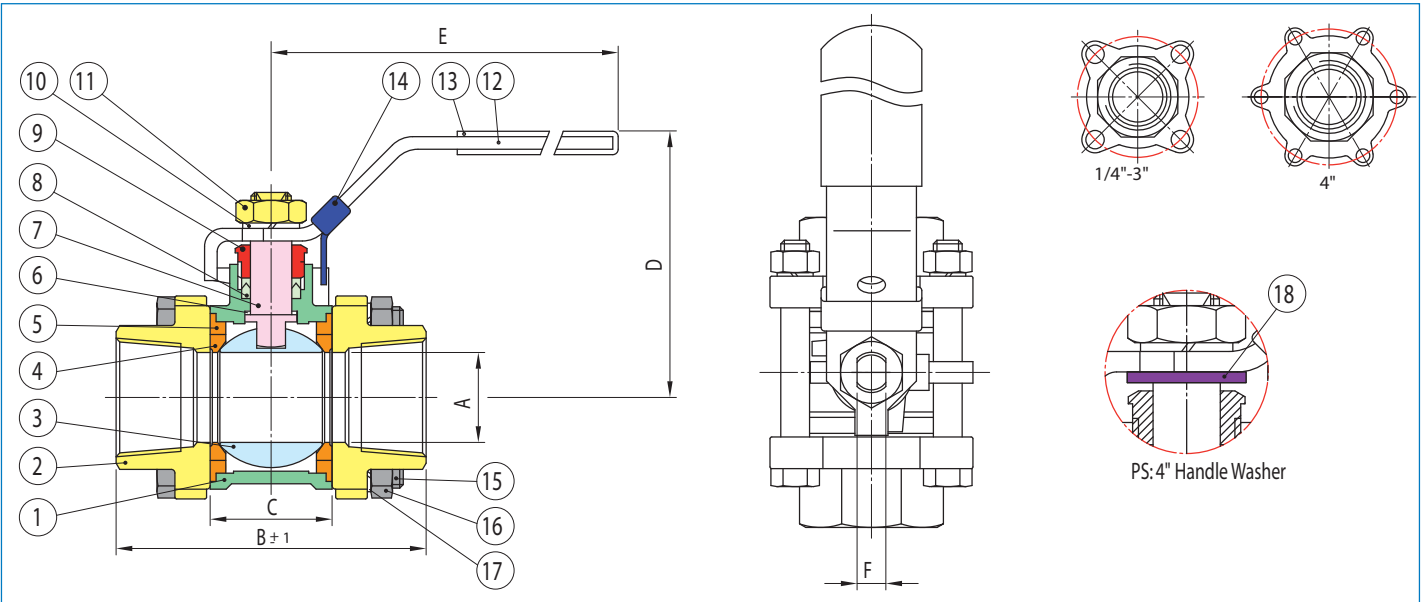
SERIES 611LL WCB-SW - 711LL CF8M-SW

SERIES 612LL WCB-BW - 712LL CF8M-BW

Direct mount 3-piece ball valve, with locking lever.
For general industrial and chemical applications.

- Full port sizes 1/4" to 4".
- Pressure rating 1/4" to 2" 1000 PSI. 2"1/2 to 4" 800 PSI
- Temperature to -60° F + 440° F.
- Blow out proof stem, adjustable multi-layer V-ring stem packaging.
- P.T.F.E. seats, packing and thrust washer.
- 4 bolt actuator mounting pad.
- Dual position locking lever.
- 150WSP saturated steam.

NEW



N. Pos	PART NAME	MATERIAL	N. PCS
1	BODY	WCB/CF8M	1
2	END CAP	WCB/CF8M	2
3	BALL	SS316	1
4	SEAT	TFM1600	2
5	JOIN GASKET	P.T.F.E	2
6	STEM SEAL	P.T.F.E	1
7	STEM	SS316	1
8	STEM PACKING	P.T.F.E	*
9	GLAND NUT	SS304	1
10	STEM WASHER	SS304	1
11	STEM NUT	SS304	1
12	HANDLE	SS304	1
13	HANDLE SLEEVE	VINILY	1
14	LOCKING DEVICE	SS304	1
15	BOLT	SS304	*
16	BOLT NUT	SS304	*
17	BLOT WASHER	SS304	*
18	HANDLE WASHER	SS304	1

SIZE	A	B	C	D	E	F	Cv	Lbs
1/4"	0.46	2.23	0.73	2.13	4.02	0.20	8	0.77
3/8"	0.50	2.23	0.73	2.13	4.02	0.20	10	0.77
1/2"	0.59	2.59	0.93	2.52	5.20	0.26	15	1.23
3/4"	0.79	3.00	1.10	2.64	5.20	0.26	34	1.65
1"	0.98	3.39	1.34	2.95	6.58	0.32	56	2.29
1"1/4	1.26	4.05	1.67	3.15	6.58	0.32	85	3.84
1"1/2	1.50	4.70	2.09	3.54	7.56	0.38	125	5.31
2"	1.97	5.17	2.54	3.86	7.56	0.38	250	8.07
2"1/2	2.56	6.46	3.43	5.39	9.92	0.47	320	15.65
3"	3.15	7.19	3.90	5.79	9.92	0.47	580	23.15
4"	3.94	9.28	5.00	6.89	11.10	0.59	1020	45.78

* Varies with size

