

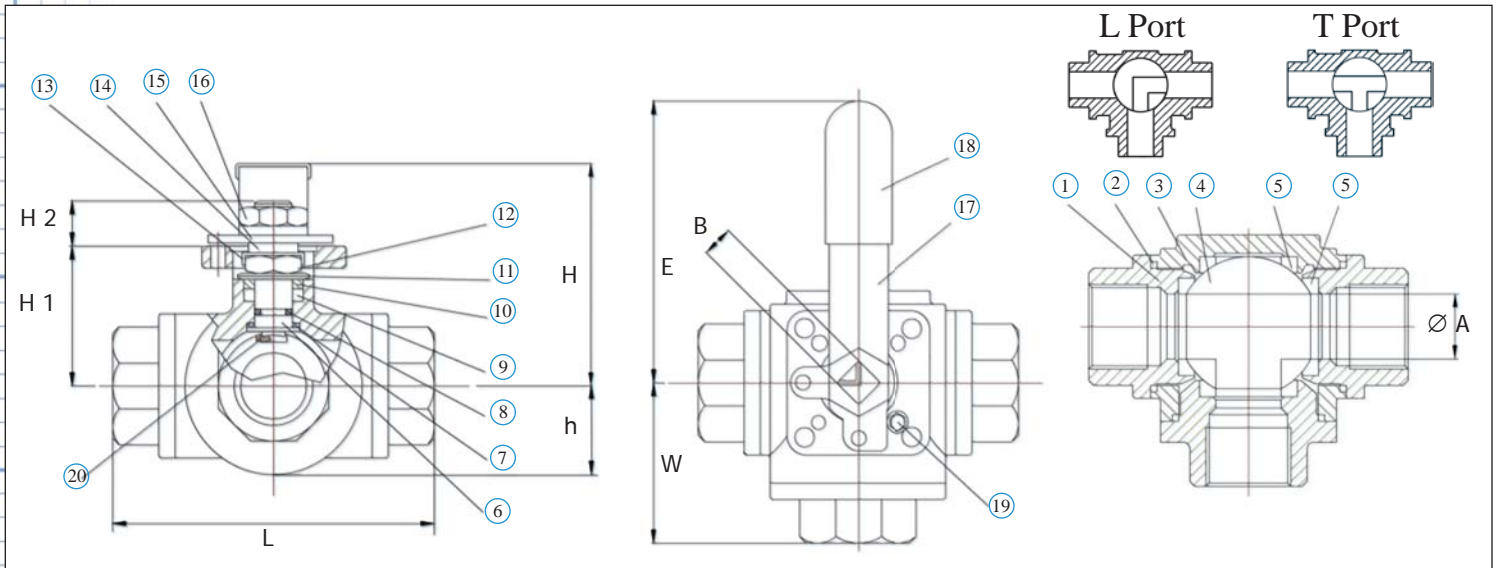
SERIES **955N (T) - 965N (L)** Standard Port
SERIES **956N (T) - 966N (L)** Full Port

DIRECT MOUNT 3 WAY BALL VALVE

Stainless Steel Direct Mount 3-Way Diverter or Mixing Valve



- Self adjusting stem packing
- Blow-out proof stem design
- 100% air tested under water at 80 psi
- Working pressure is 1000 psi (1/4" to 1"), 800 psi (1 1/4" to 3")
- Temperature range -20° F. to 450° F.
- ISO 5211 mounting pad, Sizes 1/4" to 3"



DIMENSIONS (in)

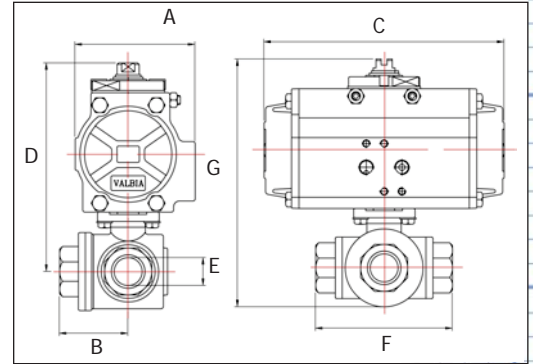
NO.	PART NAME	MATERIAL	N PCS.	Full Port	Standard Port	∅ A	B	E	H	H 1	H 2	h	L	W	Wt. (lbs)	Break Torque	ISO5211
1	End Cap	A351 Gr. CF8M	3	1/4"	—	0.43	.35	5.12	2.44	1.45	.40	0.78	2.83	1.41	1.45	105 in/lbs	F03/F04
2	Gasket	P.T.F.E.	3	3/8"	1/2"	0.47	.35	5.12	2.44	1.45	.40	0.78	2.83	1.41	1.41	105 in/lbs	F03/F04
3	Body	A351 Gr. CF8M	1	1/2"	3/4"	0.59	.35	5.12	2.51	1.65	.45	0.91	3.26	1.63	1.87	138 in/lbs	F03/F04
4	Ball	SS 316	1	3/4"	1"	0.78	.43	6.49	3.22	1.65	.59	1.10	3.89	1.94	3.21	184 in/lbs	F04/F05
5	Seat	P.T.F.E./R.P.T.F.E.	4	1"	1 1/4"	0.98	.43	6.49	3.50	2.18	.55	1.33	4.40	2.20	4.80	323 in/lbs	F04/F05
6	Stem	SS 316	1	1 1/4"	1 1/2"	1.25	.55	8.07	3.85	2.48	.64	1.53	4.92	2.46	7.23	461 in/lbs	F05/F07
7	Stem Seal	R.P.T.F.E.	1	1 1/2"	2"	1.50	.55	8.07	4.25	2.88	.62	1.88	5.86	2.93	11.55	633 in/lbs	F05/F07
8	O-Ring	Viton	1	2"	—	2.00	.66	12.79	5.51	3.63	.88	2.36	6.85	3.42	20.89	1,037 in/lbs	F07/F10
9	Stem Packing	P.T.F.E.	1														
10	Gland	SS 304	1														
11	Belleville Washer	SS 301	2														
12	Stem Nut	SS 304	1														
13	Nut Stop	SS 304	1														
14	Space Washer	SS 304	1														
15	Lock Saddle	SS 304	1														
16	Handle Nut	SS 304	1														
17	Handle	SS 304	1														
18	Handle Sleeve	Vinyl	1														
19	Stop Pin	SS 304	1														
20	Insert Pin	SS 316	1														

New 2.5" and 3" sizes, also flanged valves

PNEUMATIC ACTUATED DIRECT MOUNT 3-WAY BALL VALVE

DOUBLE ACTING
8P0139 (T) Std Port
8P0140 (L) Std Port
8P0143 (T) Full Port
8P0144 (L) Full Port

SPRING RETURN
8P0141 (T) Std Port
8P0142 (L) Std Port
8P0145 (T) Full Port
8P0146 (L) Full Port



8P0139 (T)
8P0143 (T)
8P0140 (L)
8P0144 (L)

8P0141 (T)
8P0145 (T)
8P0142 (L)
8P0146 (L)

DOUBLE ACTING DIMENSIONS (in)

SPRING RETURN DIMENSIONS (in)

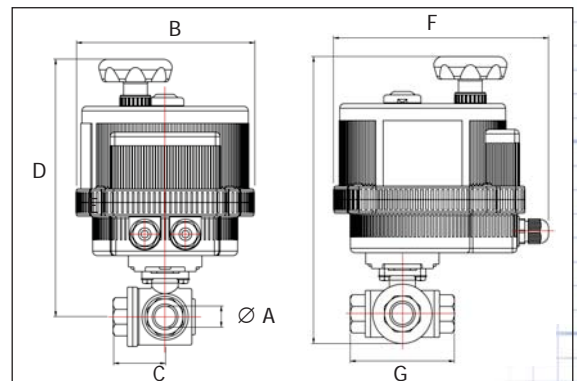
Full	Std	Ø A	B	C	D	E	F	Act.
1/4"	----	5.49	5.75	4.72	2.80	2.83	1.42	DA52
3/8"	1/2"	5.49	5.75	4.72	2.80	2.83	1.42	DA52
1/2"	3/4"	5.49	6.10	5.14	2.80	3.26	1.64	DA52
3/4"	1"	6.38	7.10	6.50	3.17	3.89	2.05	DA63
1"	1-1/4"	6.38	7.50	6.90	3.17	4.40	2.30	DA63
1-1/4"	1-1/2"	8.15	8.95	7.50	3.72	4.92	2.38	DA75
1-1/2"	2"	9.35	10.4	8.60	4.17	5.86	3.10	DA85
2"	----	10.6	11.5	9.60	4.84	6.85	3.42	DA100

Full	Std	Ø A	B	C	D	E	F	Act.
1/4"	----	6.38	5.98	5.38	3.17	2.83	1.42	SR63
3/8"	1/2"	6.38	5.98	5.38	3.17	2.83	1.42	SR63
1/2"	3/4"	6.38	6.25	6.05	3.17	3.26	1.64	SR63
3/4"	1"	8.15	7.75	6.65	3.72	3.89	2.05	SR75
1"	1-1/4"	8.15	8.00	7.00	3.72	4.40	2.30	SR75
1-1/4"	1-1/2"	10.6	9.85	8.50	4.84	4.92	2.38	SR100
1-1/2"	2"	10.6	10.7	9.25	4.84	5.86	3.10	SR100
2"	----	14.4	12.4	10.9	5.83	6.85	3.42	SR125

ELECTRIC ACTUATED DIRECT MOUNT 3-WAY BALL VALVE

8E069* (T) Std Port**
8E070* (L) Std Port**
8E071* (T) Full Port**
8E072* (L) Full Port**

*** = Electric Supply Order Suffix	
Standard	
12VDC	001
24V AC/DC	002
100-240VAC	003
Fail Safe	
12VDC	N/A
24V AC/DC	012
100-240VAC	013
Positioner	
12VDC	021
24V AC/DC	022
100-240VAC	023



Standard Port	Full Port	Standard Port Ø A	Full Port Ø A	B	C	D	E	F	G	Act.
----	1/4"	----	.250	8.40	2.80	2.83	1.42	1.42	1.42	DA52
1/2"	3/8"	.395	.500	8.40	2.80	2.83	1.42	1.42	1.42	DA52
3/4"	1/2"	.750	.500	10.3	2.80	3.26	1.64	1.64	1.64	DA52
1"	3/4"	1.00	.750	10.3	3.17	3.89	2.05	2.05	2.05	DA63
1-1/4"	1"	1.25	1.00	11.8	3.17	4.40	2.30	2.30	2.30	DA63
1-1/2"	1-1/4"	1.50	1.25	12.4	3.72	4.92	2.38	2.38	2.38	DA75
2"	1-1/2"	2.00	1.50	13.9	4.17	5.86	3.10	3.10	3.10	DA85
----	2"	----	2.00	15.1	4.84	6.85	3.42	3.42	3.42	DA100

New 2.5" and 3" sizes, also flanged valves