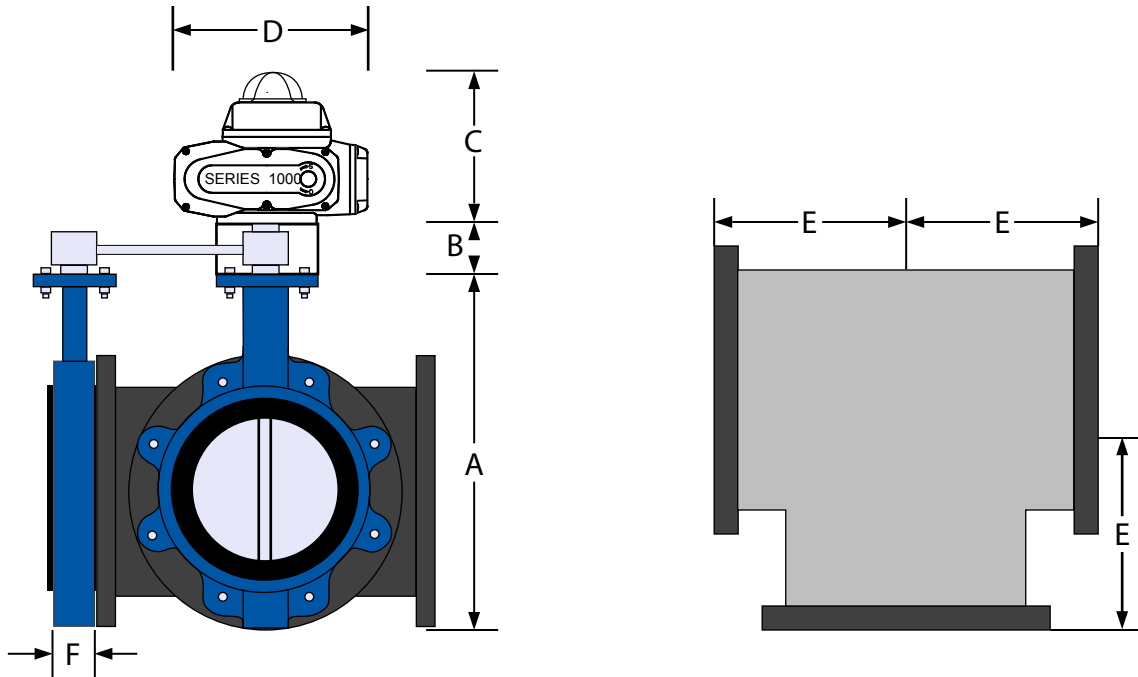


### THREE WAY DIMENSIONS



**NOTES:**

1. The valves are rated at 100 PSI pressure differential in the closed position.
2. Standard valves are furnished with lugs tapped as shown, to be used between ANSI 125/150 pound flanges (not for ANSI 250/300 pound flanges).

**TEE ARRANGEMENT:**

1. 3-Way assemblies are shipped as an assembled complete unit, mounted, tested and ready for field installation.
2. Arrangement of the valves on the assembled tee must be provided with the purchase order.

Valve Size in	A	B	C		D		E	F	Lug Data		
			120V	24V	120V	24V			BHC	# of Holes	Tap Size
2	8.25	2	5.7	6	8.2	12	4.5	1 3/4	4.75	4	5/8-11
2.5	9	2	5.7	6	8.2	12	5	1 3/4	5.5	4	5/8-11
3	9.75	2	5.7	9	8.2	12	5.5	1 7/8	6	4	5/8-11
4	11.13	2	5.7	9	8.2	12	6.5	2 1/8	7.5	8	5/8-11
5	12.19	2	5.7		8.2		7.5	2 1/4	8.5	8	3/4-10
6	13.25	2	5.7		8.2		8	2 1/4	9.5	8	3/4-10
8	16.19	3	6.7		10.1		9	2 1/2	11.75	8	3/4-10
10	19	3	6.7		10.1		11	2 3/4	14.25	12	7/8-9
12	21.63	3	6.7		10.1		12	3 1/8	17	12	7/8-9
14	22.06	3	7.8		11.1		14	3 1/8	18.75	12	1-8
16	24.43	3	7.8		11.1		15	3 1/2	21.25	16	1-8
18	26.87	3	7.8		11.1		16.5	4 1/4	22.75	16	1 1/8-7
20	29.63	3	7.8		11.1		18	5 1/4	25	20	1 1/8-7
24	40.35	3	7.8		11.1		22	6	29.5	20	1 1/4-7
30	48	3	7.8		11.1		25	6.6	36	28	1 1/4-7

### THREE WAY ARRANGEMENTS

The arrangement illustrated represents the most common layouts.  
If these layouts do not cover your requirements, simply provide us with a sketch and details.

All three-way butterfly valve assembly orders should have the arrangement specified.

ARRANGEMENT	ACTUATED VALVE	NORMALLY CLOSED	NORMALLY OPEN
1	VALVE A	VALVE A	VALVE B
2	VALVE A	VALVE A	VALVE C
3	VALVE B	VALVE B	VALVE C
4	VALVE B	VALVE B	VALVE A
5	VALVE C	VALVE C	VALVE B
6	VALVE C	VALVE C	VALVE A

### Top View

