

6800 Series

In-Line Check Valves

Features & Benefits

- High capacity, size 1/4" - 2" 800 wog
- Soft seat for bubble-tight shutoff, spring loaded for fast sealing action
- Low cracking pressure 1/2 psi
- Flow profile designed to minimize head loss easy design
- Perfect sealing both at high and low pressure wide temperature +10° to +450°F
- High technology materials to ensure best resistance in any condition
- Investment casting



Ordering Schematic



Series
68 Series



Material
33 Stainless



Port Design
F Full Port



Packing
T Teflon



Seat
T Teflon
C Carbon
V Seat



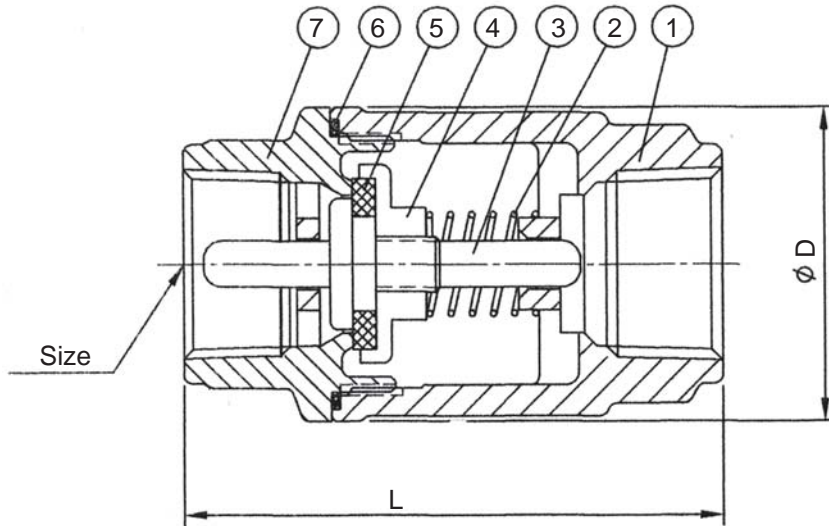
End Connections
S NPT ends

J-Flow

J-Flow
1776 Mentor Avenue • Norwood, OH 45212
Phone 513-731-2900 • Fax 513-731-6939
www.jflowcontrols.com

Engineering

Dimensions



Size	D	L
1/2"	1.35	2.31
3/4"	1.81	2.87
1"	2.13	3.50
1-1/2"	2.88	4.93
2"	3.56	6.00

Item	Parts	Materials
1	Body	CF8M
2	Spring	SS 316
3	Slide Pin	CF8M
4	Seat Hold	CF8M
5	Seat	PTFE
6	Gasket	PTFE
7	End Cap	CF8M