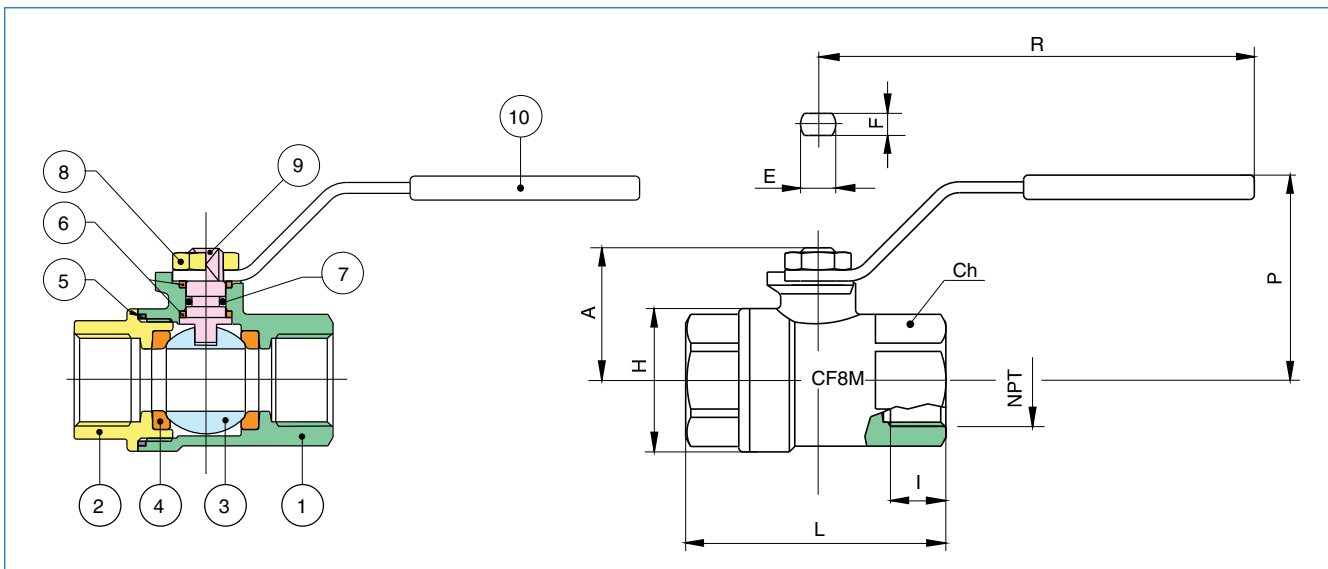




SERIES 700023 STAINLESS STEEL BALL VALVE

- 2 pc stainless steel ASTM A351- CF8M ball valve.
- Full port sizes 1/4" to 2".
 - Pressure rating 1000 psi WOG - 150 psi steam.
 - Temperature to 366°F.
 - Blow out proof stem.
 - P.T.F.E. seats, packing, and thrust washer.
 - 100% electronically tested in the open and closed position at 80 psi.



N POS	PART NAME	MATERIAL	N POS
1	BODY	CF8M	1
2	END CONNECTION	CF8M	1
3	BALL	AISI 316 - CF8M	1
4	BALL SEAT	P.T.F.E	2
5	SEAT	P.T.F.E.	1
6	STEM SEAL	P.T.F.E.	2
7	O-RING	FKM (Viton®)	1
8	NUT	AISI 304	1
9	STEM	AISI 316	1
10	HANDLE	AISI 430	1

SIZE	A	H	L	R	CH	I	E	F	P	CV	psi	Lbs
1/4"	1.10	1.18	2.10	4.35	0.86	0.39	0.31	0.19	1.75	6.26	1000	0.48
3/8"	1.10	1.18	2.10	4.35	0.86	0.39	0.31	0.19	1.75	6.96	1000	0.44
1/2"	1.20	1.27	2.36	4.35	1.06	0.51	0.31	0.19	1.85	18.90	1000	0.55
3/4"	1.45	1.57	2.75	5.17	1.25	0.55	0.39	0.27	2.14	34.22	1000	1.00
1"	1.61	1.92	3.11	5.17	1.61	0.66	0.39	0.27	2.30	49.88	1000	1.88
1 1/4"	1.96	2.44	3.58	6.87	1.96	0.74	0.47	0.31	0.27	103.24	1000	2.66
1 1/2"	2.24	2.95	4.05	6.87	2.16	0.76	0.47	0.31	3.01	266.80	1000	4.00
2"	2.59	3.74	4.88	6.87	2.75	0.88	0.47	0.31	3.38	307.40	1000	6.00

