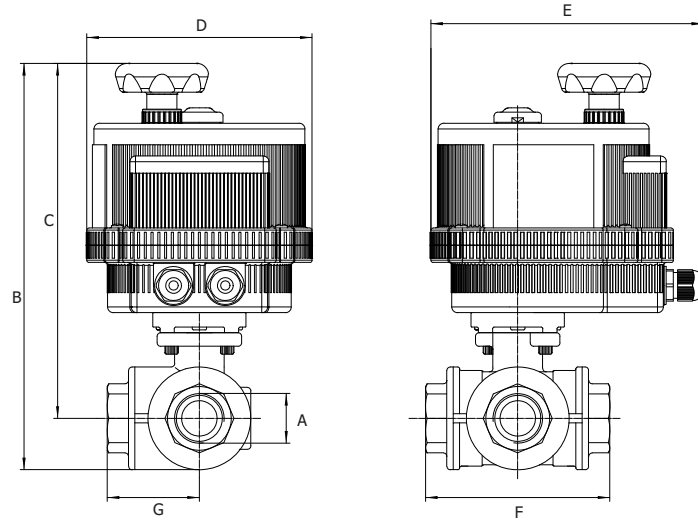


8E065*** - Direct Mount, 3-way Brass, "T" Port Ball Valve with Electric Actuator

8E066*** - Direct Mount, 3-way Brass "L" Port Ball Valve with Electric Actuator



355N "T" Port Valve
365N "L" Port Valve

Dimensions (in)

8E065
8E066

SIZE	1/4"	3/8"	1/2"	3/4"	1"	1-1/4"	1-1/2"	2"	2-1/2"	3"
A	0.39	0.43	0.43	0.59	0.79	0.98	1.26	1.57	1.95	1.95
B	7.44	7.44	7.44	7.63	9.98	10.4	11.1	13.0	13.3	13.3
C	6.77	6.77	6.77	6.86	9.03	9.25	9.74	11.3	11.9	11.9
D	4.84	4.84	4.84	4.84	6.18	6.18	6.18	7.28	7.28	7.28
E	6.41	6.41	6.41	6.41	7.50	7.50	7.50	8.43	8.43	8.43
F	2.64	2.64	2.87	3.19	3.74	4.39	4.86	5.73	6.93	7.08
G	1.32	1.32	1.44	1.60	1.87	2.20	2.43	2.87	3.47	3.54
ACT.	VB015	VB015	VB015	VB015	VB030	VB030	VB030	VB060	VB060	VB060

*** Voltage Supply Order Suffix				
FOR MOD. VB015	12V AC/DC = 001	24V AC/DC = 002	110V AC = 003	220V AC = 005
FOR MOD. VB30 to 350	24V AC/DC = 002	110 to 240V AC = 004		