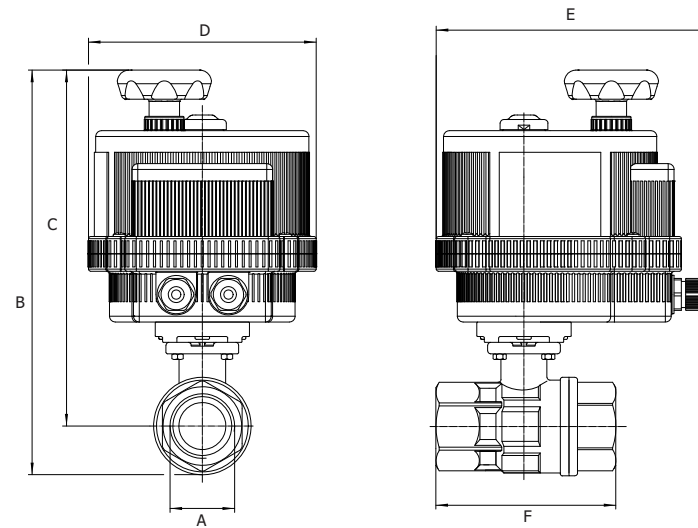


8E067*** - Direct Mount, 2-way, Full Port ASTM-CF8M 316 Stainless Steel Ball Valve with Electric Actuator



700076 Series Ball Valve
Dimensions (in)

8E067

SIZE	1/4"	3/8"	1/2"	3/4"	1"	1-1/4"	1-1/2"	2"	2-1/2"	3"
A	.250	.375	.500	.750	1.00	1.25	1.50	2.00	2.50	3.00
B	7.70	7.70	7.53	7.76	8.33	8.73	11.4	12.1	15.0	15.8
C	7.00	7.00	6.85	6.93	7.32	7.46	9.88	10.2	13.0	13.3
D	4.84	4.84	4.84	4.84	4.84	4.84	6.18	6.18	7.28	8.19
E	6.41	6.41	6.41	6.41	6.41	6.41	7.50	7.50	8.43	8.43
F	2.60	2.60	2.63	3.07	3.54	3.93	4.40	5.81	6.40	7.00
ACT.	VB015	VB015	VB015	VB015	VB015	VB015	VB030	VB030	VB060	VB110

*** Voltage Supply Order Suffix				
FOR MOD. VB015	12V AC/DC = 001	24V AC/DC = 002	110V AC = 003	220V AC = 005
FOR MOD. VB30 to 350	24V AC/DC = 002	110 to 240V AC = 004		