

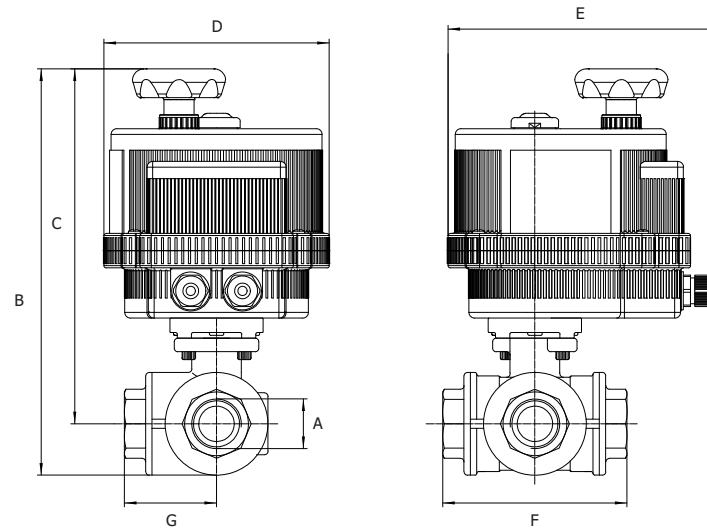
- 8E069***** - Direct Mount, 3-way ASTM-CF8M 316 Stainless Steel, "T" Std. Port Ball Valve with Electric Actuator
- 8E070***** - Direct Mount, 3-way ASTM-CF8M 316 Stainless Steel "L" Std. Port Ball Valve with Electric Actuator
- 8E071***** - Direct Mount, 3-way ASTM-CF8M 316 Stainless Steel, "T" Full Port Ball Valve with Electric Actuator
- 8E072***** - Direct Mount, 3-way ASTM-CF8M 316 Stainless Steel "L" Full Port Ball Valve with Electric Actuator



955N "T" - 965N "L" Series Std.Port Ball Valve **8E069-8E071**
 956N "T" - 966N "L" Series Full Port Ball Valve **8E070-8E072**

Dimensions (in)

FULL PORT	1/4"	3/8"	1/2"	3/4"	1"	1-1/4"	1-1/2"	2"
Standard PORT	—	1/2"	3/4"	1"	1-1/4"	1-1/2"	2"	—
FULL PORT A	.250	.500	.500	.750	1.00	1.25	1.50	2.00
Standard PORT A	—	.395	.750	1.00	1.25	1.50	2.00	—
B	8.40	8.40	10.3	10.3	11.8	12.4	13.9	15.1
C	7.70	7.70	9.10	9.10	10.7	11.0	12.1	12.9
D	4.84	4.84	6.18	6.18	7.28	7.28	8.19	8.19
E	6.41	6.41	7.50	7.50	8.43	8.43	9.33	9.33
F	2.83	2.83	3.26	3.89	4.40	4.92	5.86	6.85
G	1.41	1.41	1.63	1.94	2.20	2.46	2.93	3.42
ACT.	VB015	VB015	VB030	VB030	VB060	VB060	VB110	VB190



*** Voltage Supply Order Suffix				
FOR MOD. VB015	12V AC/DC = 001	24V AC/DC = 002	110V AC = 003	220V AC = 005
FOR MOD. VB30 to 350	24V AC/DC = 002	110 to 240V AC = 004		