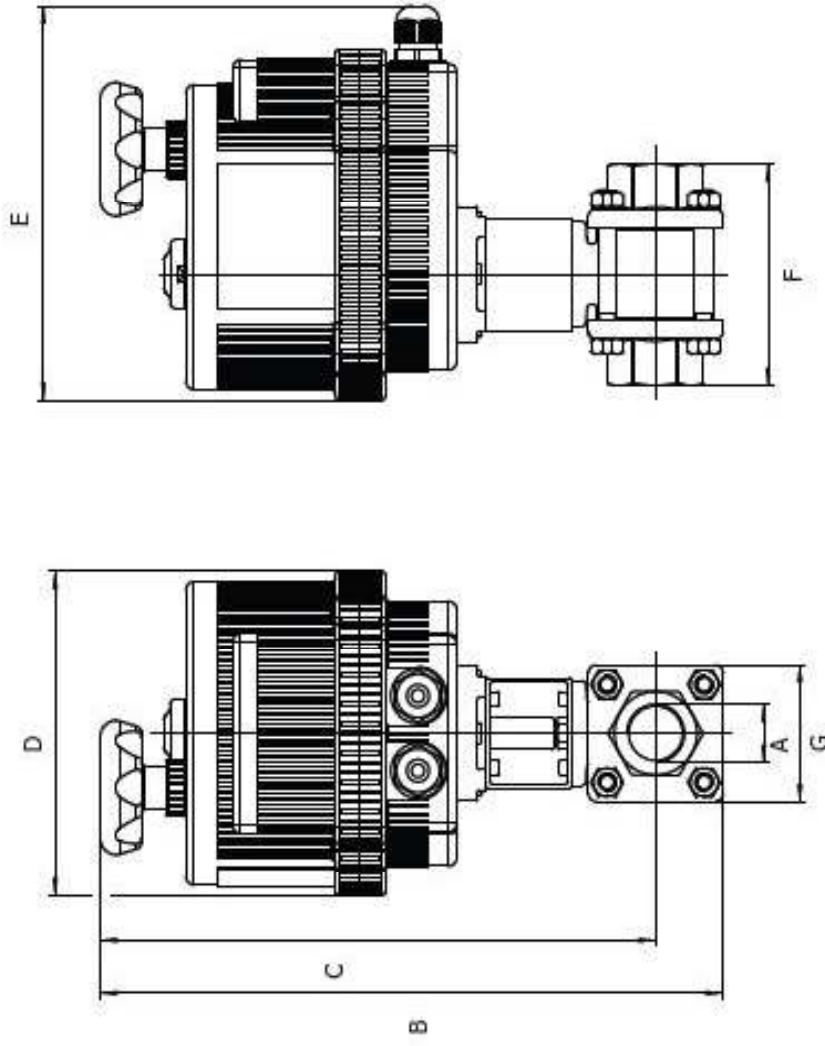


- 8E074***** - 2-Way, 3-Piece Stainless Steel, Full Port Ball Valve with Electric Actuator, Threaded Ends
- 8E080***** - 2-Way, 3-Piece Stainless Steel, Full Port Ball Valve with Electric Actuator, Socket Weld Ends
- 8E081***** - 2-Way, 3-Piece Stainless Steel, Full Port Ball Valve with Electric Actuator, Butt Weld Ends



- 710001 Series Ball Valve, Threaded Ends**
- 711000 Series Ball Valve, Socket Weld Ends**
- 712000 Series Ball Valve, Butt Weld Ends**

| Size | Dimensions (in) | | | | | | | | | | | |
|------|-----------------|-------|-------|-------|-------|-------|--------|--------|-------|--------|-------|-------|
| | Only F/F | 1/4" | 3/8" | 1/2" | 3/4" | 1" | 1-1/4" | 1-1/2" | 2" | 2-1/2" | 3" | 4" |
| A | .250 | .375 | .500 | .750 | 1.00 | 1.25 | 1.50 | 1.50 | 2.00 | 2.50 | 3.00 | 4.00 |
| B | 8.07 | 8.07 | 8.47 | 9.92 | 12.1 | 12.48 | 14.4 | 14.4 | 15.0 | 17.0 | 18.0 | 20.0 |
| C | 7.40 | 7.40 | 7.72 | 9.02 | 10.9 | 11.1 | 12.9 | 12.9 | 13.2 | 14.4 | 14.8 | 16.3 |
| D | 4.84 | 4.84 | 4.84 | 4.84 | 6.18 | 6.18 | 7.28 | 7.28 | 7.28 | 8.31 | 8.31 | 8.31 |
| E | 6.46 | 6.46 | 6.46 | 6.46 | 7.52 | 7.52 | 8.47 | 8.47 | 8.47 | 9.33 | 9.33 | 9.33 |
| F | 2.24 | 2.24 | 2.24 | 2.56 | 2.99 | 3.62 | 4.21 | 4.57 | 5.35 | 6.06 | 7.09 | 8.54 |
| G | 1.30 | 1.30 | 1.30 | 1.50 | 1.85 | 2.28 | 3.00 | 3.00 | 3.54 | 5.28 | 6.39 | 7.48 |
| ACT. | VB015 | VB015 | VB015 | VB015 | VB015 | VB030 | VB030 | VB060 | VB060 | VB110 | VB110 | VB190 |

| *** Voltage Supply Order Suffix | | | |
|---------------------------------|-----------------|----------------------|---------------|
| FOR MOD. VB015 | 12V AC/DC = 001 | 24V AC/DC = 002 | 110V AC = 003 |
| FOR MOD. VB30 to 350 | 24V AC/DC = 002 | 110 to 240V AC = 004 | 220V AC = 005 |