

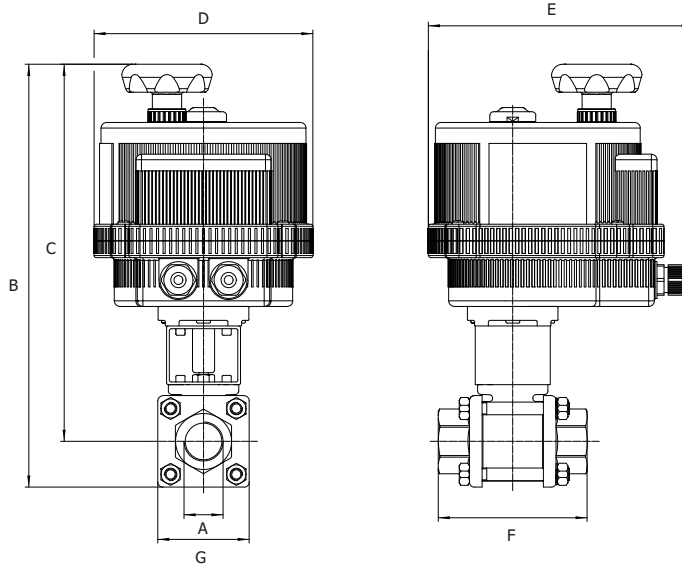
- 8E075***** - 2-Way, 3-Piece Carbon Steel, Full Port Ball Valve with Electric Actuator, Threaded Ends
- 8E083***** - 2-Way, 3-Piece Carbon Steel, Full Port Ball Valve with Electric Actuator, Socket Weld Ends
- 8E084***** - 2-Way, 3-Piece Carbon Steel, Full Port Ball Valve with Electric Actuator, Butt Weld Ends



710003 Series Ball Valve, Threaded Ends
 714000 Series Ball Valve, Socket Weld Ends
 715000 Series Ball Valve, Butt Weld Ends

8E075
8E083
8E084

Size	Dimensions (in)										
	1/4"	3/8"	1/2"	3/4"	1"	1-1/4"	1-1/2"	2"	2-1/2"	3"	4"
A	.250	.375	.500	.750	1.00	1.25	1.50	2.00	2.50	3.00	4.00
B	8.07	8.07	8.47	9.92	12.1	12.4	14.4	15.0	17.0	18.0	20.0
C	7.40	7.40	7.72	9.02	10.9	11.1	12.9	13.2	14.4	14.8	16.3
D	4.84	4.84	4.84	4.84	6.18	6.18	7.28	7.28	8.31	8.31	8.31
E	6.46	6.46	6.46	6.46	7.52	7.52	8.47	8.47	9.33	9.33	9.33
F	2.24	2.24	2.56	2.99	3.62	4.21	4.57	5.35	6.06	7.09	8.54
G	1.30	1.30	1.50	1.85	2.28	2.64	3.00	3.54	5.28	6.39	7.48
ACT.	VB015	VB015	VB015	VB015	VB030	VB030	VB060	VB060	VB110	VB110	VB190



*** Voltage Supply Order Suffix				
FOR MOD. VB015	12V AC/DC = 001	24V AC/DC = 002	110V AC = 003	220V AC = 005
FOR MOD. VB30 to 350	24V AC/DC = 002	110 to 240V AC = 004		