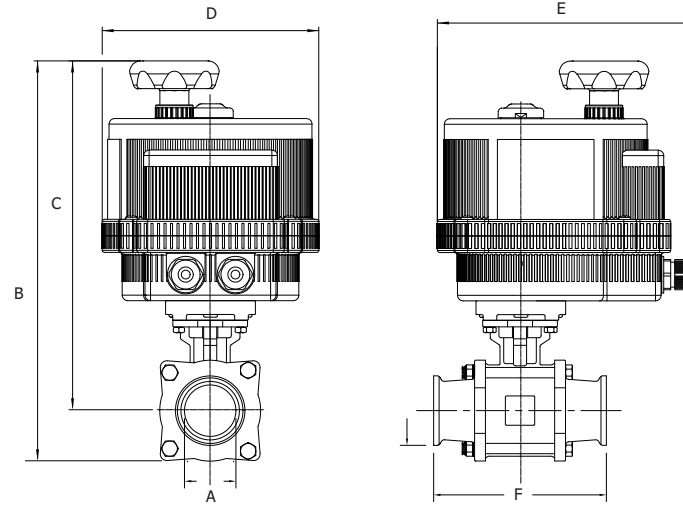


**8E0770\*\*\*** - 2-Way, 3-Piece 316 Stainless Steel, Full Port, Sanitary Connection, Non-Cavity Filled Ball Valve with Electric Actuator

**8E0771\*\*\*** - 2-Way, 3-Piece 316 Stainless Steel, Full Port, Sanitary Connection, Cavity Filled Ball Valve with Electric Actuator



770 Series Valve, Non-Cavity Filled

**8E0770**

SIZE	1/2"	3/4"	1"	1-1/2"	2"	2-1/2"	3"	4"
A	0.37	0.62	0.87	1.37	1.87	2.37	2.87	3.83
B	8.20	8.60	9.00	11.3	12.7	14.7	15.3	16.3
C	7.93	8.16	8.50	10.5	11.8	13.4	13.8	14.4
D	4.84	4.84	4.84	6.18	7.28	8.19	8.19	8.19
E	6.45	6.45	6.45	7.51	8.46	9.33	9.33	9.33
F	3.50	3.99	4.50	5.51	6.25	6.85	7.60	8.89
ACT.	VB015	VB015	VB015	VB030	VB060	VB110	VB110	VB190

Dimensions (in)

771 Series Valve, Cavity Filled

**8E0771**

SIZE	1/2"	3/4"	1"	1-1/2"	2"	2-1/2"	3"	4"
A	0.37	0.62	0.87	1.37	1.87	2.37	2.87	3.83
B	8.20	8.60	10.2	12.4	12.7	15.4	16.0	16.3
C	7.93	8.16	9.61	11.6	11.8	14.1	14.2	14.4
D	4.84	4.84	6.18	7.28	7.28	8.19	8.19	8.19
E	6.45	6.45	7.51	8.46	8.46	9.33	9.33	9.33
F	3.50	3.99	4.50	5.51	6.25	6.85	7.60	8.89
ACT.	VB015	VB015	VB030	VB060	VB060	VB190	VB190	VB190

Dimensions (in)