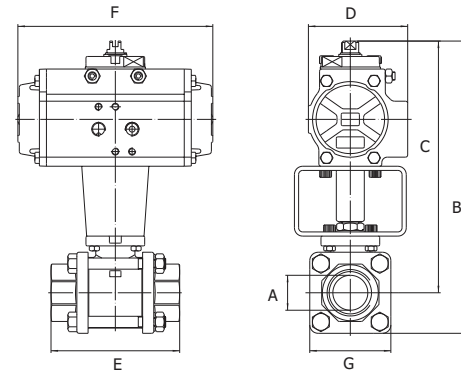


- 8P0169(DA) - 8P0170(SR) - 2-Way, 3-Piece A351-CF8M Stainless Steel, Full Port Ball Valve with Pneumatic Actuator, Threaded Ends
- 8P0187(DA) - 8P0188(SR) - 2-Way, 3-Piece A351-CF8M Stainless Steel, Full Port Ball Valve with Pneumatic Actuator, Socket Weld Ends
- 8P0189(DA) - 8P0190(SR) - 2-Way, 3-Piece A351-CF8M Stainless Steel, Full Port Ball Valve with Pneumatic Actuator, Butt Weld Ends



710001 Valve with DOUBLE ACTING Actuator, Threaded Ends
 711000 Valve with DOUBLE ACTING Actuator, Socket Weld Ends
 712000 Valve with DOUBLE ACTING Actuator, Butt Weld Ends

8P0169 NPT
 8P0187 S/W
 8P0189 B/W

	Only F/F	Dimensions (in)									
Size	1/4"	3/8"	1/2"	3/4"	1"	1-1/4"	1-1/2"	2"	2-1/2"	3"	4"
A	.250	.375	.500	.750	1.00	1.25	1.50	2.00	2.50	3.00	4.00
B	5.03	5.03	5.43	7.87	8.22	8.85	9.99	11.8	13.0	13.9	16.4
C	4.37	4.37	4.68	6.92	7.08	7.28	8.50	9.40	10.3	10.3	12.7
D	1.77	1.77	1.77	2.79	2.79	2.79	2.79	3.74	4.17	4.17	4.84
E	2.24	2.24	2.55	2.99	3.62	4.21	3.18	5.35	6.06	7.08	8.54
F	4.33	4.33	4.33	5.51	5.51	5.51	6.37	8.42	9.37	9.37	10.7
G	1.29	1.29	1.49	1.85	2.28	2.63	2.99	3.54	5.27	5.27	7.48
ACT.	32	32	32	52	52	52	63	75	85	85	100

710001 Valve with SPRING RETURN Actuator, Threaded Ends
 711000 Valve with SPRING RETURN Actuator, Socket Weld Ends
 712000 Valve with SPRING RETURN Actuator, Butt Weld Ends

8P0170 NPT
 8P0188 S/W
 8P0190 B/W

	Only F/F	Dimensions (in)									
Size	1/4"	3/8"	1/2"	3/4"	1"	1-1/4"	1-1/2"	2"	2-1/2"	3"	4"
A	.250	.375	.500	.750	1.00	1.25	1.50	2.00	2.50	3.00	4.00
B	5.98	5.98	6.41	8.30	8.66	9.01	11.1	12.1	15.5	16.9	18.1
C	5.35	5.35	5.66	7.36	7.51	7.71	9.60	10.3	12.8	13.7	14.4
D	2.79	2.79	2.79	3.18	3.18	3.18	4.17	4.84	5.39	5.82	5.82
E	2.24	2.24	2.55	2.99	3.62	4.21	4.56	5.35	6.06	7.08	8.54
F	5.51	5.51	5.51	6.37	6.37	6.37	9.37	10.7	12.9	14.4	14.4
G	1.29	1.29	1.49	1.85	2.28	2.63	2.99	3.54	5.27	6.33	7.48
ACT.	52	52	52	63	63	63	85	100	115	125	125