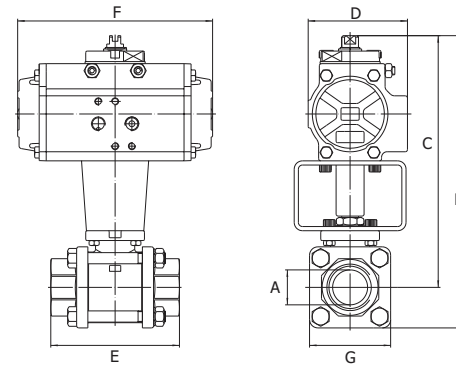


- 8P0171(DA) - 8P0172(SR)** - 2-Way, 3-Piece Carbon Steel, Full Port Ball Valve (S.S. Ball+Stem) with Pneumatic Actuator, Threaded Ends
- 8P0191(DA) - 8P0192(SR)** - 2-Way, 3-Piece Carbon Steel, Full Port Ball Valve (S.S. Ball+Stem) with Pneumatic Actuator, Socket Weld Ends
- 8P0193(DA) - 8P0194(SR)** - 2-Way, 3-Piece Carbon Steel, Full Port Ball Valve (S.S. Ball+Stem) with Pneumatic Actuator, Butt Weld Ends



710003 Valve with DOUBLE ACTING Actuator, Threaded Ends
 714000 Valve with DOUBLE ACTING Actuator, Socket Weld Ends
 715000 Valve with DOUBLE ACTING Actuator, Butt Weld Ends

8P0171 NPT
8P0191 S/W
8P0193 B/W

	Only F/F	Dimensions (in)										
Size	1/4"	3/8"	1/2"	3/4"	1"	1-1/4"	1-1/2"	2"	2-1/2"	3"	4"	
A	.250	.375	.500	.750	1.00	1.25	1.50	2.00	2.50	3.00	4.00	
B	5.82	5.82	5.82	7.04	7.55	7.99	9.17	11.1	13.0	13.9	16.4	
C	5.07	5.07	5.07	6.14	6.41	6.65	7.67	9.40	10.3	10.8	12.7	
D	1.77	1.77	1.77	2.79	2.79	2.79	3.18	3.74	4.17	4.17	4.84	
E	2.55	2.55	2.55	2.99	3.62	4.21	4.56	5.35	6.06	7.08	8.54	
F	4.33	4.33	4.33	5.51	5.51	5.51	6.37	8.14	9.37	9.37	10.7	
G	1.49	1.49	1.49	1.85	2.28	2.63	2.99	3.54	5.27	6.33	7.48	
ACT.	32	32	32	52	52	52	63	75	85	85	100	

710003 Valve with SPRING RETURN Actuator, Threaded Ends
 714000 Valve with SPRING RETURN Actuator, Socket Weld Ends
 715000 Valve with SPRING RETURN Actuator, Butt Weld Ends

8P0172 NPT
8P0192 S/W
8P0194 B/W

	Only F/F	Dimensions (in)										
Size	1/4"	3/8"	1/2"	3/4"	1"	1-1/4"	1-1/2"	2"	2-1/2"	3"	4"	
A	.250	.375	.500	.750	1.00	1.25	1.50	2.00	2.50	3.00	4.00	
B	6.77	6.77	6.77	7.48	7.99	8.42	10.2	12.1	15.5	16.9	18.4	
C	6.02	6.02	6.02	6.57	6.85	7.08	8.77	10.3	12.8	13.7	14.4	
D	2.79	2.79	2.79	3.18	3.18	3.18	4.17	4.84	5.39	5.82	5.82	
E	2.55	2.55	2.55	2.99	3.62	4.21	4.56	5.35	6.06	7.08	8.54	
F	5.51	5.51	5.51	6.37	6.37	6.37	9.37	10.7	12.9	14.4	14.4	
G	1.49	1.49	1.49	1.85	2.28	2.63	2.99	3.54	5.27	6.33	7.48	
ACT.	52	52	52	63	63	63	85	100	115	125	125	