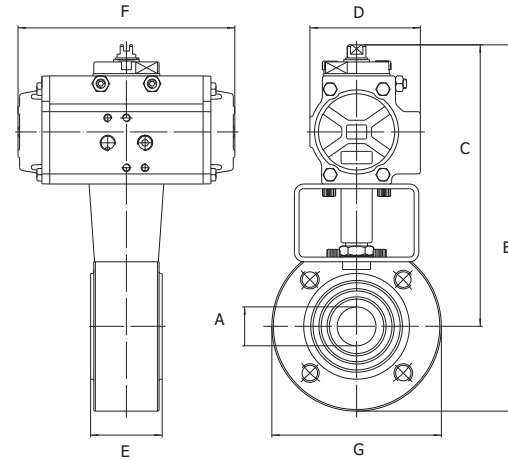


8P0175 - 2-way "WAFER" ball valve, ANSI 150 flanged, carbon steel ASTM A105, Stainless ball and stem, with DA actuator.

8P0176 - 2-way "WAFER" ball valve, ANSI 150 flanged, carbon steel ASTM A105, Stainless ball and stem, with SR actuator.



720017 VALVE WITH DOUBLE ACTING ACTUATOR

Dimensions (in)		8P0175											
Size	1/2"	3/4"	1"	1-1/4"	1-1/2"	2"	2-1/2"	3"	4"	5"	6"	8"	
A	.500	.750	1.00	1.25	1.50	2.00	2.50	3.00	4.00	5.00	6.00	8.00	
B	7.55	8.89	9.29	9.96	11.1	12.3	13.8	14.6	17.0	19.7	22.2	26.0	
C	5.78	6.92	7.12	7.40	8.42	9.40	10.4	10.8	12.7	14.8	16.2	19.3	
D	1.77	2.79	2.79	2.79	3.18	3.74	4.17	4.17	4.84	5.39	5.82	7.36	
E	1.37	1.57	1.81	2.12	2.51	3.22	4.05	4.80	5.98	7.71	9.13	12.4	
F	4.33	5.51	5.51	5.51	6.37	8.14	9.37	9.37	10.7	12.9	14.4	20.5	
G	3.50	3.88	4.25	4.62	5.00	6.00	7.00	7.50	9.00	10.0	11.0	13.5	
ACT.	32	52	52	52	63	75	85	85	100	115	125	160	

720017 VALVE WITH SPRING RETURN ACTUATOR

Dimensions (in)		8P0176											
Size	1/2"	3/4"	1"	1-1/4"	1-1/2"	2"	2-1/2"	3"	4"	5"	6"	8"	
A	.500	.750	1.00	1.25	1.50	2.00	2.50	3.00	4.00	5.00	6.00	8.00	
B	8.50	9.33	9.72	10.3	12.2	13.3	16.3	17.5	18.7	21.5	25.5	28.0	
C	6.73	7.36	7.55	7.83	9.52	10.3	12.9	13.8	14.4	16.6	19.6	21.3	
D	2.79	3.81	3.81	3.81	4.17	4.84	5.39	5.82	5.82	7.36	8.58	8.58	
E	1.37	1.57	1.81	2.12	2.51	3.22	4.05	4.80	5.98	7.71	9.13	12.4	
F	5.51	6.37	6.37	6.37	9.37	10.7	12.9	14.4	14.4	20.5	22.6	22.6	
G	3.50	3.88	4.25	4.62	5.00	6.00	7.00	7.50	9.00	10.0	11.0	13.5	
ACT.	52	63	63	63	85	100	115	125	125	160	200	200	