

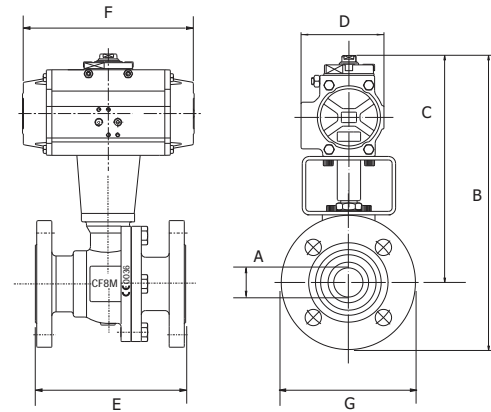
8P0177 - "SPLIT BODY" full bore flanged ball valve, ANSI 150 stainless steel
ASTM A351-CF8M, Fire Safe, Antistatic Device, with DA actuator

8P0178 - "SPLIT BODY" full bore flanged ball valve, ANSI 150 stainless steel
ASTM A351-CF8M, Fire Safe, Antistatic Device, with SR actuator



760005 VALVE WITH DOUBLE ACTING ACTUATOR

Dimensions (in)		8P0177							
Size	1/2"	3/4"	1"	1-1/2"	2"	3"	4"	6"	8"
A	.500	.750	1.00	1.50	2.00	3.00	4.00	6.00	8.00
B	7.67	8.93	9.96	12.2	13.5	16.4	17.8	22.9	27.2
C	5.82	6.85	7.67	9.33	10.2	12.5	13.5	17.3	20.4
D	1.77	2.79	2.79	3.18	3.74	4.17	4.84	5.82	7.36
E	4.25	4.62	5.00	6.50	7.00	8.00	9.00	15.5	18.0
F	4.33	5.51	5.51	6.37	8.14	9.37	10.7	14.4	20.5
G	3.50	3.88	4.25	5.00	6.00	7.50	9.00	11.0	13.5
ACT.	32	52	52	63	75	85	100	125	160



VALVE WITH SPRING RETURN ACTUATOR

Dimensions (in)		8P0178							
Size	1/2"	3/4"	1"	1-1/2"	2"	3"	4"	6"	8"
A	.500	.750	1.00	1.50	2.00	3.00	4.00	6.00	8.00
B	8.66	9.37	10.3	13.3	14.4	18.6	19.5	26.3	29.1
C	6.77	7.28	8.11	10.4	11.2	14.6	15.1	20.7	22.4
D	2.79	3.18	3.18	4.17	4.84	5.82	5.82	8.58	8.58
E	4.25	4.62	5.00	6.50	7.00	8.00	9.00	15.5	18.0
F	5.51	6.37	6.37	9.37	10.7	14.4	14.4	22.6	22.6
G	3.50	3.88	4.25	5.00	6.00	7.50	9.00	11.0	13.5
ACT.	52	63	63	85	100	125	125	200	200