

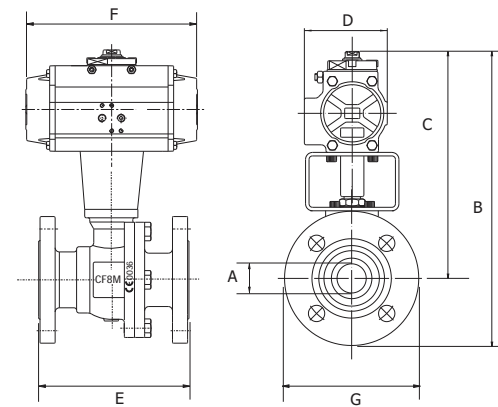
8P0179 - "SPLIT BODY" full bore flanged ball valve, ANSI 150, carbon steel A105, Stainless Steel Ball and Stem, Fire Safe, Antistatic Device, with DA actuator

8P0180 - "SPLIT BODY" full bore flanged ball valve, ANSI 150, carbon steel A105, Stainless Steel Ball and Stem, Fire Safe, Antistatic Device, with SR actuator



762000 VALVE WITH DOUBLE ACTING ACTUATOR

Dimensions (in)		8P0179								
Size	1/2"	3/4"	1"	1-1/2"	2"	3"	4"	6"	8"	
A	.500	.750	1.00	1.50	2.00	3.00	4.00	6.00	8.00	
B	7.67	8.93	9.96	12.2	13.5	16.4	17.8	22.9	27.1	
C	5.82	6.85	7.67	9.33	10.2	12.5	13.5	11.2	20.4	
D	1.77	2.79	2.79	3.18	3.74	4.17	4.84	5.82	7.36	
E	4.25	4.62	5.00	6.50	7.00	8.00	9.00	15.5	18.0	
F	4.33	5.51	5.51	6.37	8.14	9.37	10.7	14.4	20.5	
G	3.50	3.88	4.25	5.00	6.00	7.50	9.00	11.0	13.5	
ACT.	32	52	52	63	75	85	100	125	160	



VALVE WITH SPRING RETURN ACTUATOR

Dimensions (in)		8P0180								
Size	1/2"	3/4"	1"	1-1/2"	2"	3"	4"	6"	8"	
A	.500	.750	1.00	1.50	2.00	3.00	4.00	6.00	8.00	
B	8.66	9.37	10.3	13.3	14.4	18.6	19.5	26.3	29.1	
C	6.77	7.28	8.11	10.4	11.2	14.6	15.1	20.7	22.4	
D	2.79	3.18	3.18	4.17	4.84	5.82	5.82	8.58	8.58	
E	4.25	4.62	5.00	6.50	7.00	8.00	9.00	15.5	18.0	
F	5.51	6.37	6.37	9.37	10.7	14.4	14.4	22.6	22.6	
G	3.50	3.88	4.25	5.00	6.00	7.50	9.00	11.0	13.5	
ACT.	52	63	63	85	100	125	125	200	200	