

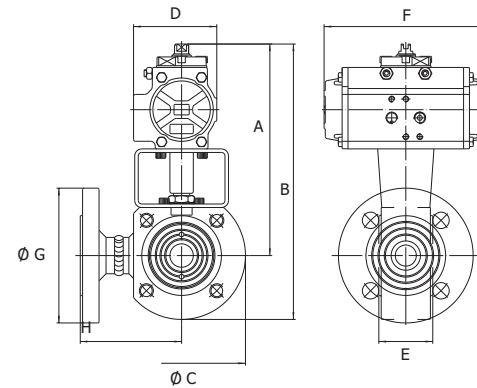
8P0181 (L) - 3-Way "WAFER" ball valve (diverting), "L" port, two seats, ANSI 150 flanged, in stainless steel ASTM A105, REDUCED bore, with DA actuator.

8P0182 (L) - 3-Way "WAFER" ball valve (diverting), "L" port, two seats, ANSI 150 flanged, in stainless steel ASTM A105, REDUCED bore, with SR actuator.



776018 VALVE WITH DOUBLE ACTING ACTUATOR

Dimensions (in)		8P0181 (L)								
Size	1/2"	3/4"	1"	1-1/4"	1-1/2"	2"	2-1/2"	3"	4"	
A	5.78	6.92	7.12	7.40	8.42	9.33	10.4	10.7	12.7	
B	7.51	8.85	9.25	9.96	11.1	12.4	13.9	14.7	17.0	
Ø C	3.50	3.89	4.29	5.11	5.51	6.29	7.08	7.87	8.66	
D	1.77	2.79	2.79	2.79	3.18	3.74	4.17	4.17	4.84	
E	1.52	1.57	1.81	2.28	2.79	3.22	4.17	4.80	5.98	
F	4.33	5.51	5.51	5.51	6.37	8.14	9.37	9.37	10.7	
Ø G	3.50	3.88	4.25	4.62	5.00	6.00	7.00	7.50	9.00	
H	2.99	3.22	3.38	3.93	4.13	4.52	4.92	5.90	6.25	
ACT.	32	52	52	52	63	75	85	85	100	



VALVE WITH SPRING RETURN ACTUATOR

Dimensions (in)		8P0182 (L)								
Size	1/2"	3/4"	1"	1-1/4"	1-1/2"	2"	2-1/2"	3"	4"	
A	6.73	7.36	7.55	7.83	9.52	10.3	12.9	13.7	14.7	
B	8.50	9.29	9.68	10.3	12.2	13.4	16.4	17.6	18.7	
Ø C	3.50	3.89	4.29	5.11	5.51	6.29	7.08	7.87	8.66	
D	2.79	3.18	3.18	3.18	4.17	4.84	5.39	5.82	5.82	
E	1.57	1.57	1.81	2.28	2.79	3.22	4.17	4.80	5.98	
F	5.51	6.37	6.37	6.37	9.37	10.7	12.9	14.4	14.4	
Ø G	3.50	3.88	4.25	4.62	5.00	6.00	7.00	7.50	9.00	
H	2.99	3.22	3.38	3.93	4.13	4.52	4.29	5.90	6.25	
ACT.	52	63	63	63	85	100	115	125	125	