

**8P0183 (L)** - 3-Way "WAFER" ball valve (diverting), "L" port, two seats, ANSI 150 flanged, in carbon steel ASTM A105, REDUCED bore, with DA actuator.

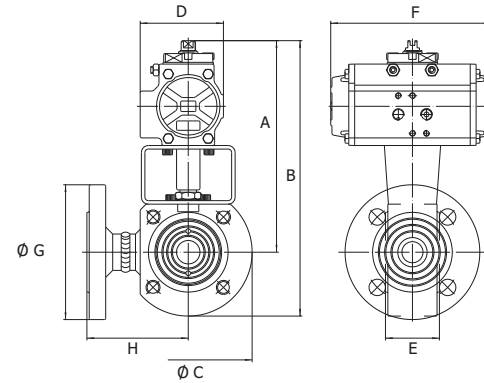
**8P0184 (L)** - 3-Way "WAFER" ball valve (diverting), "L" port, two seats, ANSI 150 flanged, in carbon steel ASTM A105, REDUCED bore, with SR actuator.



776032 VALVE WITH DOUBLE ACTING ACTUATOR

**8P0183 (L)**

Dimensions (in)										
Size	1/2"	3/4"	1"	1-1/4"	1-1/2"	2"	2-1/2"	3"	4"	
A	5.78	6.92	7.12	7.40	8.42	9.33	10.4	10.7	10.7	
B	7.51	8.85	9.25	9.96	11.1	12.4	13.9	14.7	17.0	
Ø C	3.50	3.89	4.29	5.11	5.51	6.29	7.08	7.8	8.66	
D	1.77	2.79	2.79	2.79	3.18	3.74	4.17	4.17	4.84	
E	1.57	1.57	1.81	2.28	2.79	3.22	4.17	4.80	5.98	
F	4.33	5.51	5.51	5.51	6.37	8.14	9.37	9.37	10.7	
Ø G	3.50	3.88	4.25	4.62	5.00	6.00	7.00	7.50	9.00	
H	2.99	3.22	3.38	3.93	4.13	4.52	4.92	5.90	6.25	
ACT.	32	52	52	52	63	75	85	85	100	



VALVE WITH SPRING RETURN ACTUATOR

**8P0184 (L)**

Dimensions (in)										
Size	1/2"	3/4"	1"	1-1/4"	1-1/2"	2"	2-1/2"	3"	4"	
A	6.73	7.36	7.55	7.83	9.52	10.3	12.9	13.7	14.4	
B	8.50	9.29	9.68	10.3	12.2	13.4	16.4	17.6	18.7	
Ø C	3.50	3.89	4.29	5.11	5.51	6.29	7.08	7.87	8.66	
D	2.79	3.18	3.18	3.18	4.17	4.84	5.39	5.82	5.82	
E	1.57	1.57	1.81	2.28	2.79	3.22	4.17	4.80	5.98	
F	5.51	6.37	6.37	6.37	9.37	10.7	12.9	14.4	14.4	
Ø G	3.50	3.88	4.25	4.62	5.00	6.00	7.00	7.50	9.00	
H	2.99	3.22	3.38	3.93	4.13	4.52	4.92	5.90	6.25	
ACT.	52	63	63	63	85	100	115	125	125	