



Brass 3way Ball Valve with Compact, Economical Electric Actuator

SERIES 8E865-*** Tport - 866N-*** Lport

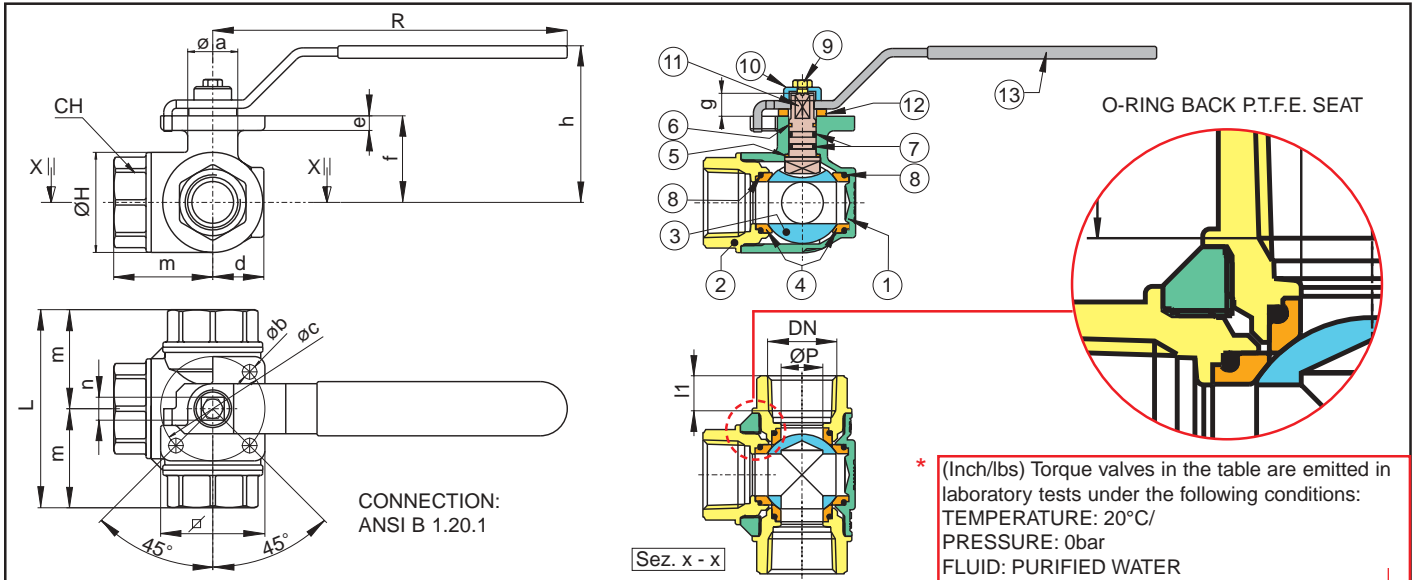
*** Electric Code:

-002 = 24vdc/vac

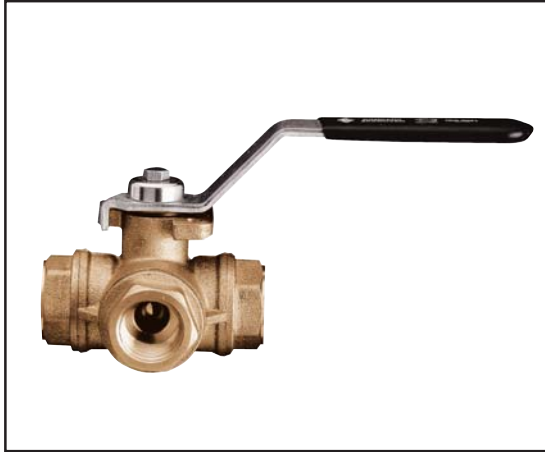
-003 = 100-240 vac

Brass ball valve - Three way diverting valve with electric actuator, standard port, from 1/4", 3/8", 1/2", 3/4". Four seats.

- Pressure rating 400 WOG - 100 WSP.
- Model 355N (90° and 180° flow path)
- Model 365N (90° with off position)
- Temperature to 344°F.
- Blow out proof stem, chrome plated brass ball.
- P.T.F.E. seats with O-RING backing for low operating torque.
- P.T.F.E. seats and double O-RING stem packing.
- 100% electronically tested in the open and closed position at 80 PSI.



N Pos	PART NAME	MATERIALS	N PCS	SIZE	ØP	ØH	I1	L	m	CH	R	h	Øa	Øb	Øc	d	e	f	g	∠	n	CV	PSI	Lbs	Inch/lbs
1	BODY	BRASS CW 617N UNI EN 12165	1	1/4" in	0.39	1.34	0.39	2.64	1.32	0.86	4.72	2.44	0.87	0.23	1.42 (ISO F03)	0.77	0.20	1.20	0.35	1.49	0.35	3.26	400	1.22	53.10
2	END CONNECTION	BRASS CW 617N UNI EN 12165	3	3/8" in	0.43	1.34	0.40	2.64	1.32	0.86	4.72	2.44	0.87	0.23	1.42 (ISO F03)	0.77	0.20	1.20	0.35	1.49	0.35	3.50	400	1.16	53.10
3	BALL	BRASS CW 617N UNI EN 12165	1	1/2" in	0.43	1.34	0.53	2.87	1.44	1.06	4.72	2.44	0.87	0.23	1.42 (ISO F03)	0.77	0.20	1.20	0.35	1.49	0.35	4.20	400	1.21	53.10
4	BALL SEAT	P.T.F.E.	4	3/4" in	0.59	1.53	0.55	3.19	1.60	1.25	4.72	2.52	0.87	0.23	1.42 (ISO F03)	0.87	0.20	1.29	0.35	1.49	0.35	7	400	1.44	53.10
5	THRUST WASHER	P.T.F.E.	1	1" in	0.79	1.89	0.66	3.74	1.87	1.61	6.69	2.95	0.94	0.27	1.97 (ISO F05)	1.00	0.28	1.63	0.43	1.97	0.43	12.83	400	2.64	150.45
6	STEM SEAL	P.T.F.E.	1	1 1/4 in	0.98	2.36	0.68	4.39	2.20	1.96	6.69	3.17	0.94	0.27	1.97 (ISO F05)	1.22	0.28	1.85	0.43	1.97	0.43	18.67	400	4.15	150.45
7	O-RING STEM	FKM (Viton®)	1	1 1/2 in	1.26	2.83	0.68	4.86	2.43	2.16	6.69	3.66	1.26	0.27	1.97 (ISO F05)	1.79	0.28	2.34	0.43	1.97	0.43	29.75	400	6.02	150.45
8	O-RINGS BODY	FKM (Viton®)	4	2" in	1.57	3.38	0.70	5.73	2.87	2.75	9.05	4.43	1.46	0.35	2.76 (ISO F07)	1.75	0.32	2.90	0.59	2.75	0.55	43.76	400	9.08	274.35
9	SCREW	STEEL 6S	1	2 1/2 in	1.95	4.37	0.93	6.93	3.47	3.34	9.05	4.86	1.46	0.35	2.76 (ISO F07)	2.20	0.32	3.35	0.59	2.75	0.55	70	400	16.33	380.55
10	BUSH	BRASS CW 614N UNI EN 12164	1	3" in	1.95	4.45	1.01	7.08	3.54	4.13	9.05	4.86	1.46	0.35	2.76 (ISO F07)	2.20	0.32	3.35	0.59	2.75	0.55	70	400	19.55	380.55
11	STEM	BRASS CW 614N UNI EN 12164	1																						
12	WASHER	NYLON	1																						
13	HANDLE	Fe P 11 UNI EN 10111	1																						



SERIES **355N (T)** - **365N (L)** DIRECT MOUNT 3 WAY BALL VALVE

Brass ball valve - Three way diverting valve with ISO 5211 pad for actuator, standard port, from 1/4" to 3". Four seats.

- Pressure rating 400 WOG - 100 WSP.
- Model 355N (90° and 180° flow path)
- Model 365N (90° with off position)
- Temperature to 344°F.
- Blow out proof stem, chrome plated brass ball.
- P.T.F.E. seats with O-RING backing for low operating torque.
- P.T.F.E. seats and double O-RING stem packing.
- 100% electronically tested in the open and closed position at 80 PSI.

355N - LEVER HANDLE - SIZE 1/4" TO 3". "T" FLOW PATTERN
365N - LEVER HANDLE - SIZE 1/4" TO 3". "L" FLOW PATTERN



FLOW PATH VARIATIONS

	355N				365N			
Lever Assembly								
Position 1								
Position 2								
Note	The flow paths are indicated by the markings on the spindle.							