



SERIES 250N - 253N Brass Electric BALL VALVE

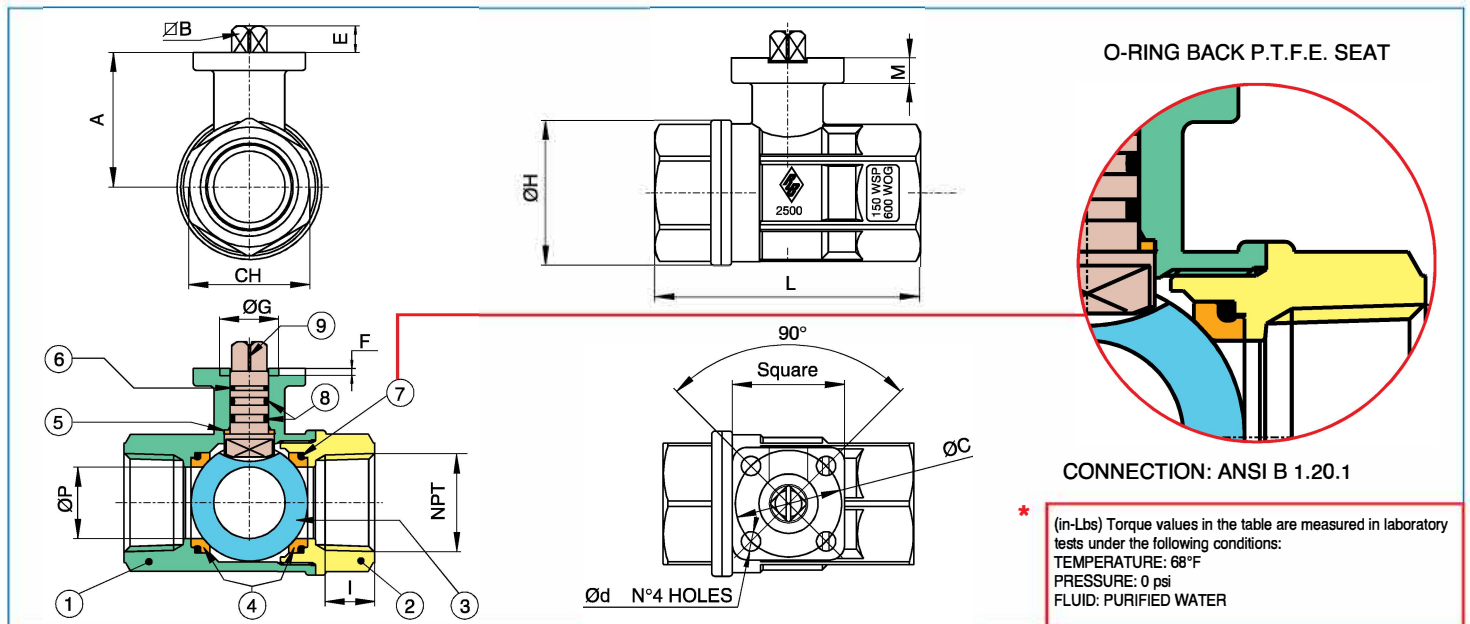
Brass ball valve, female/female, with ISO 5211 pad for actuator.

- Full port from 1/4" to 4".
- Pressure rating 600 WOG - 150 WSP.
- Temperature up to 366°F.
- Blow out proof stem, chrome plated brass ball.
- P.T.F.E seats with O-ring backing for low operating torque.
- P.T.F.E seats and double O-ring stem packing.
- 100% electronically tested in the open and closed position at 80 psi.

250N: WITH BRASS BALL AND STEM - size up to 4".

253N: WITH STAINLESS STEEL BALL AND STEM - size up to 2".

MEETS THE DESIGN CRITERIA OF MSS_SP_110.



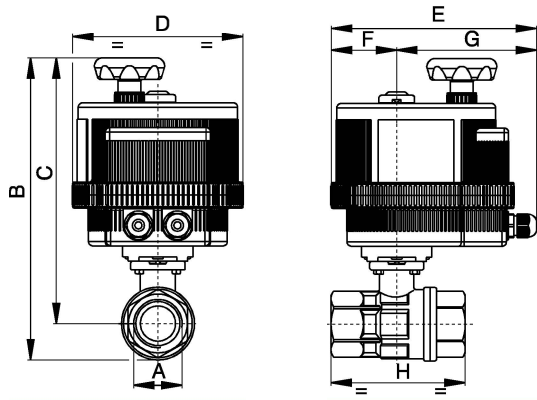
N PCS	PART NAME	MATERIAL	N PCS	SIZE	Square	A	∅B	∅C	∅d	E	F	∅G	∅H	I	L	CH	M	∅P	CV	psi	Lbs	*
1	BODY	BRASS CW 617N UNI EN 12165	1	1/4"	1.49	1.28	0.35	1.42 (ISO F03)	0.24	0.35	0.08	0.98	1.32	0.39	2.64	1.06	0.22	0.39	6.29	600	0.82	53.10
2	END CONNECTION	BRASS CW 617N UNI EN 12165	1	3/8"	1.49	1.28	0.35	1.42 (ISO F03)	0.24	0.35	0.08	0.98	1.32	0.40	2.64	1.06	0.22	0.39	6.99	600	0.79	53.10
3	BALL	BRASS CW 617N UNI EN 12165	1	1/2"	1.49	1.28	0.35	1.42 (ISO F03)	0.24	0.35	0.08	0.98	1.32	0.53	2.64	1.06	0.22	0.56	19	600	0.66	53.10
4	BALL SEAT	P.T.F.E	2	3/4"	1.49	1.36	0.35	1.42 (ISO F03)	0.24	0.35	0.08	0.98	1.57	0.55	3.00	1.26	0.22	0.75	34.4	600	0.91	53.10
5	THRUST WASHER	P.T.F.E	1	1"	1.49	1.79	0.35	1.42 (ISO F03)	0.24	0.35	0.12	0.98	1.93	0.66	3.35	1.61	0.24	0.95	50	600	1.55	53.10
6	STEM SEAL	P.T.F.E	1	1 1/4"	1.49	1.93	0.35	1.42 (ISO F03)	0.24	0.35	0.12	0.98	2.30	0.68	3.66	1.97	0.24	1.18	103.7	600	2.14	53.10
7	O-RING	FKM (Viton®)	2	1 1/2"	1.96	2.52	0.43	1.97 (ISO F05)	0.27	0.43	0.12	1.38	2.87	0.68	4.13	2.16	0.39	1.49	268.5	600	3.71	150.46
8	O-RING	FKM (Viton®)	2	2"	1.96	2.88	0.43	1.97 (ISO F05)	0.27	0.43	0.12	1.38	3.60	0.70	4.80	2.75	0.31	1.97	309	600	5.52	150.46
9	STEM	BRASS CW 614 NUNI EN 12164	1	2 1/2"	2.75	3.48	0.55	2.76 (ISO F07)	0.35	0.59	0.12	2.16	4.51	0.93	6.10	3.54	0.35	2.52	629	600	8.83	274.37
				3"	2.75	3.85	0.55	2.76 (ISO F07)	0.35	0.59	0.12	2.16	5.35	1.01	6.89	4.13	0.35	3.00	1018	600	13.29	274.37
				4"	2.75	4.59	0.67	2.76 (ISO F07)	0.35	0.69	0.12	2.16	6.53	1.09	8.03	5.12	0.33	3.74	1622	600	21.54	646.05

SERIES 8E064*** - 8E068***



to 1/4" from 2"

psi	600	600	600	600	600	600	600	600	600	600	600
DN - A	1/4"	3/8"	1/2"	3/4"	1"	1 1/4"	1 1/2"	2"	2 1/2"	3"	4"
B	7.51	7.51	7.51	7.72	8.33	8.65	11.36	12.08	14.20	14.99	17.00
C	6.85	6.85	6.85	6.93	7.36	7.50	9.92	10.28	11.94	12.31	13.73
D	4.84	4.84	4.84	4.84	4.84	4.84	6.18	6.18	7.28	7.28	8.31
E	6.41	6.41	6.41	6.41	6.41	6.41	7.48	7.48	8.43	8.43	9.33
F	1.67	1.67	1.67	1.67	1.67	1.67	2.38	2.38	2.66	2.66	3.31
G	4.74	4.74	4.74	4.74	4.74	4.74	5.10	5.10	5.77	5.77	6.02
H	2.64	2.64	2.64	3.00	3.35	3.66	4.13	4.80	6.10	6.89	8.03
ACT.	VB 015	VB 015	VB 015	VB 015	VB 015	VB 015	VB 030	VB 030	VB 060	VB 060	VB 110



VOLTAGE SUFFIX

	VOLTAGE SUFFIX	VOLTAGE
STANDARD	001	12V AC/DC
	002	24V AC/DC
	003	100-240 VAC
FAIL-SAFE	012	24V AC/DC
	013	100-240 VAC
	021	12V AC/DC
POSITIONER	022	24V AC/DC
	023	100-240 VAC
POSITIONER + FAIL SAFE	032	24V AC/DC
	033	100-240 VAC