



Control Performance Series

This Versatile Valve is Designed for Superior Control Performance

Model Number

**Stainless
Steel**

CP-SF150-SS

**Carbon
Steel**

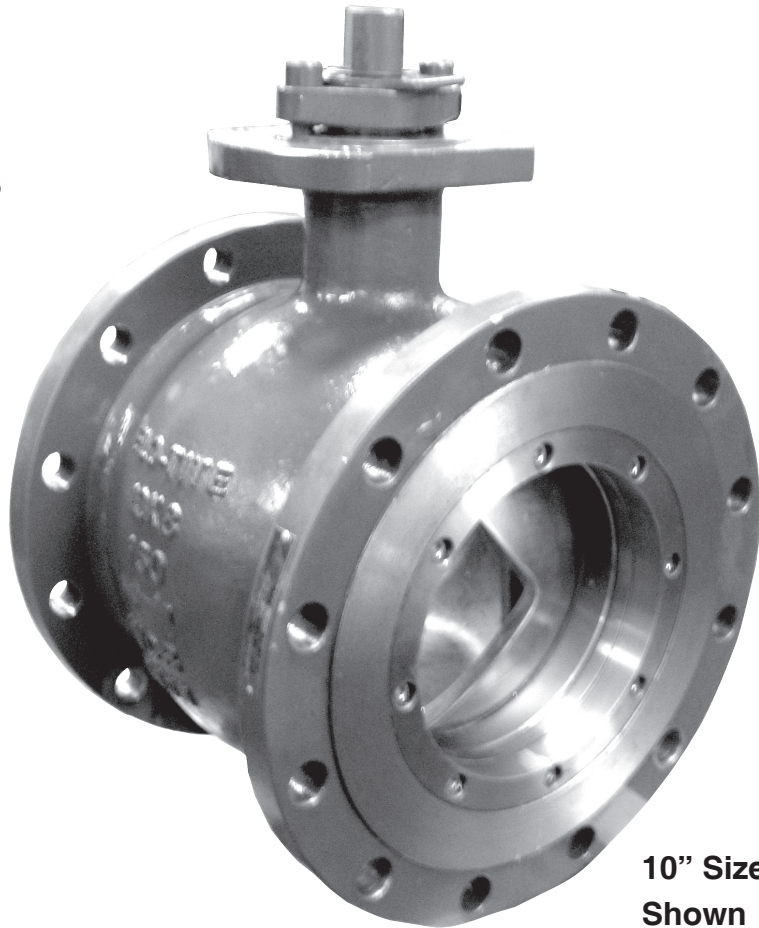
CP-SF150-CS

Available:

Flanged or Optional Wafer
Standard Bore - Class 150
Size 3" thru 12"

WCB x 304SS

CF8M x 316SS



10" Size
Shown

**Ideal Valve for
Clean or Dirty Liquids, Gases and Fibrous Suspension Applications**

Features:

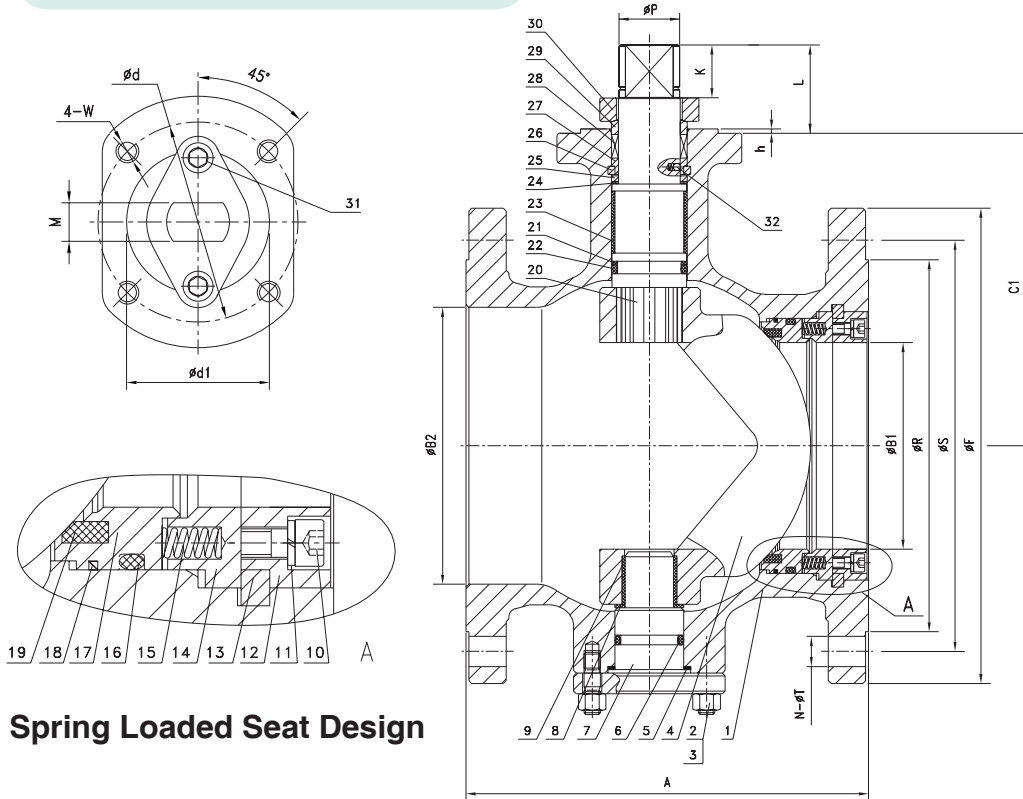
- | | |
|---------------------------------|--|
| • Trunnion - Ball Design | • CP - V Port Ball Valve |
| • Spring Loaded Seat | • Ensures Unsurpassed accuracy Over |
| • RPTFE or Metal Seats | • 90° Rotation |
| • Low Torque Single Seat Design | • Fast Accurate Response to Signal Changes |

Optimize Process Performance with Flo-Tite's CP Series

www.flotite.com

Bill of Materials

Dimensions / Tech Data



No	Name	Stainless Steel	Carbon Steel
1	Body	ASTM A351 CF8M	ASTM A216 WCB
2	Stud	ASTM A193 B8M	ASTM A193 B7M
3	Nut	ASTM A194 8M	ASTM A194 2HM
4	Ball	ASTM A351 CF8M	ASTM A351 CF8M
5	Gasket	SS304/Graphite	SS304/Graphite
6	O-Ring	Viton	Viton
7	Lower Cover	ASTM A182 316	ASTM A105+ENP
8	Thrust Bearing	PTFE	PTFE
9	Stem Bearing	Metal Packed PTFE	Metal Packed PTFE
10	Bolt	ASTM A193 B8M	ASTM A193 B7M
11	Washer	ASTM A193 B8M	ASTM A193 B7M
12	Stop Collar	ASTM A182 316	ASTM A182 316
13	Four-Split Rings	ASTM A182 316	ASTM A182 316
14	Spring Holder	ASTM A182 316	ASTM A182 316
15	Spring	Inconel X-750	Inconel X-750
16	O-Ring	Viton	Viton
17	Seat Retainer	ASTM A182 316	ASTM A182 316
18	Packing	Graphite	Graphite
19	Seat	RPTFE	RPTFE
20	Stem	ASTM A182 316	ASTM A182 316
21	Thrust Washer	PTFE	PTFE
22	O-Ring	Viton	Viton
23	Stem Bearing	Metal Packed PTFE	Metal Packed PTFE
24	Thrust Bearing	Nylon	Nylon
25	Thrust Washer	ASTM A182 F6a	ASTM A182 F6a
26	Four-Split-Rings	ASTM A182 F6a	ASTM A182 F6a
27	Packing Gasket	ASTM A182 F6a	ASTM A182 F6a
28	Packing	Graphite	Graphite
29	Packing Ring	ASTM A182 F6a	ASTM A182 F6a
30	Gland	ASTM A351 CF8M	ASTM A216 WCB
31	Bolt	ASTM A193 B8M	ASTM A193 B7M
32	Anti-Static Device	Assembly	Assembly

Spring Loaded Seat Design

Model CP - ANSI Class 150

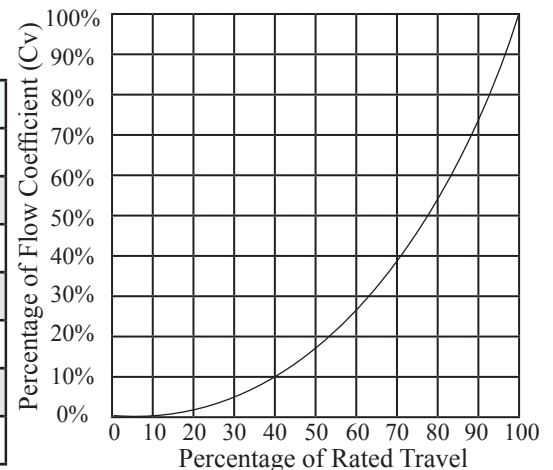
Size	A	B1	B2	C1	d	d1	F	h	K	L	M	N	P	R	S	T	W	Torque In-Lb	Weight Lbs
2"	7.00	1.50	1.97	4.02	2.76	2.17	6.00	0.08	0.89	1.48	0.472	4	0.79	3.62	4.75	0.75	M8	221	13
3"	8.00	1.97	2.95	4.65	2.76	2.17	7.50	0.08	0.89	1.48	0.472	4	0.79	5.00	6.00	0.75	M8	770	40
4"	9.00	2.99	3.94	5.43	2.76	2.17	9.00	0.08	1.36	1.99	0.669	8	1.02	6.19	7.50	0.75	M8	885	60
6"	10.5	3.94	5.91	6.97	4.02	2.76	11.0	0.12	1.22	1.97	0.866	8	1.34	8.50	9.50	0.88	M10	1770	99
8"	11.5	5.91	7.91	8.94	5.51	3.94	13.5	0.12	1.50	2.52	1.063	8	1.73	10.62	11.75	0.88	M16	3540	157
10"	13.0	7.91	9.92	10.51	6.50	5.12	16.0	0.12	1.85	3.17	1.260	12	2.01	12.75	14.25	1.00	M20	4868	243
12"	14.0	9.92	11.93	13.66	6.50	5.12	19.0	0.12	1.85	3.17	1.260	12	2.01	15.0	17.0	1.00	M20	7080	364

All Valves are hydrostatically Pressure Tested (Shell) & Air Pressure Tested (seat) to the following:

Shell Test:
450 psi for carbon steel
425 psi for stainless steel
Seat Test:
80 psi

Flow Coefficient Chart (Cv vs. Rated Travel)

Size	0%	10%	20%	30%	40%	50%	60%	70%	80%	90%	100%
2"	0	1.07	4.5	8.9	17.8	29.4	44.5	65.9	94.3	133.5	178
3"	0	2.07	8.6	17.3	34.5	56.9	86.3	127.7	182.9	258.8	345
4"	0	3.39	14.1	28.3	56.5	93.2	141.3	209.1	299.5	423.8	565
6"	0	6.93	28.9	57.8	115.5	190.6	288.8	427.4	612.2	866.3	1155
8"	0	11.3	47.0	94	188	310.2	470	695.6	996.4	1410	1880
10"	0	16.3	67.8	135.5	271	477.2	677.5	1003	1436	2033	2710
12"	0	22.0	91.8	183.5	367	605.6	917.5	1358	1945	2753	3670



Additional Valve Technical Information Can Be Obtained from Factory



Flo-Tite, Inc.
305 East 21st Street
Lumberton, NC 28358

P. O. Box 1293
Lumberton, NC 28359
Website: www.flotite.com

Tel: (910) 738-8904
Fax: (910) 738-9112
E-mail: flotite@flotite.com