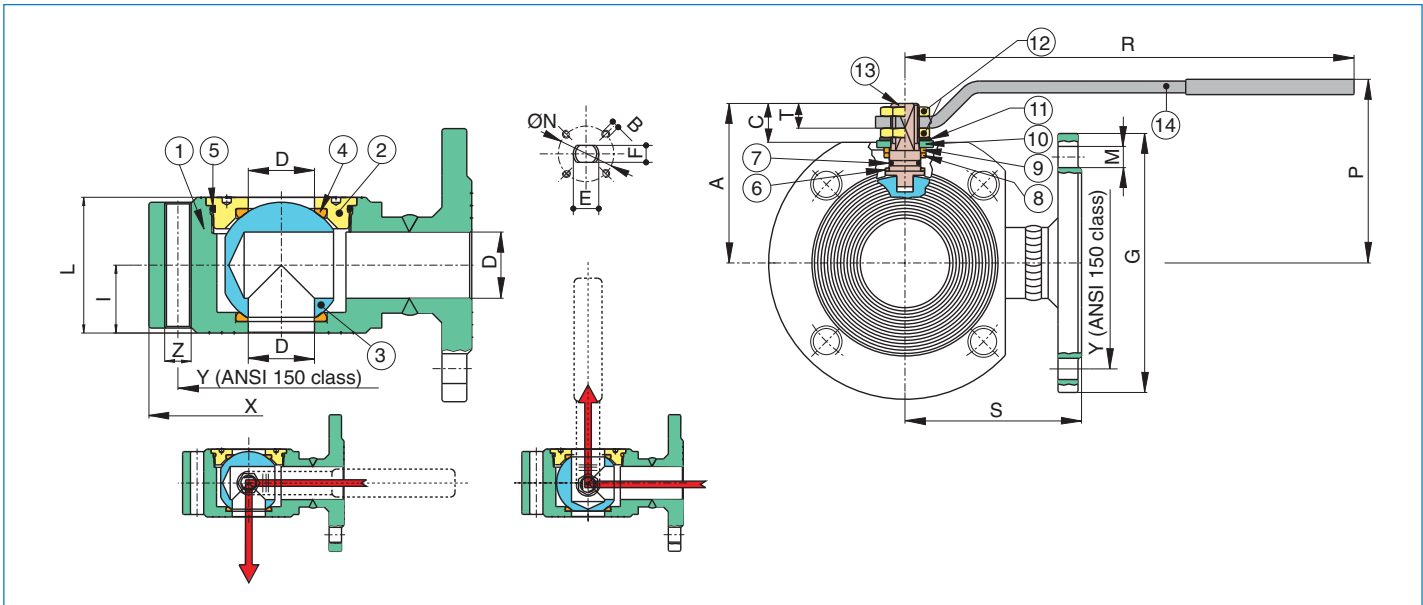


## COMPACT ELECTRIC OPERATED STAINLESS STEEL or Carbon Steel (L) 3 WAY BALL VALVE



- Compact design, flanged ANSI 150 ball valve.
- 3 way, diverter, two seats, L reduced port, sizes 1/2" to 4".
  - Temperature to 344°F.
  - Blow out proof stem, adjustable stem packing.
  - P.T.F.E. seats, packing and thrust washer.
- 100% tested.
  - TUV T.A. Luft approved.
  - T port available on request



N Pos	PART NAME	MATERIAL stainless/carbon	N PCS
1	BODY	AISI 316 A105	1
2	END CONNECTION	AISI 316 A105	1
3	BALL	AISI 316 304	1
4	BALL SEATS	P.T.F.E	2
5	O-RING	FKM (Viton®)	1
6	THRUST WASHER	P.T.F.E	1
7	O-RING	FKM (Viton®)	1
8	STEM SEAT	P.T.F.E	1
9	PACKING GLAND	STEEL	1
10	END STOP	STEEL (1/2" - 2") STEEL (2 1/2" - 8")	2 1
11	SPRING WASHER	STEEL	2
12	NUT	STEEL	2
13	STEM	AISI 316	1
14	HANDLE	STEEL	1

SIZE	X	Y	Z UNC	I	L	R	P	A	C	T	G	M	D	S	E	F	ØN	B	Lbs
1/2"	3.50	2.38	4X1/2"	0.78	1.57	5.17	2.54	1.85	0.61	0.35	3.50	4 X Ø 0.62	0.39	2.99	0.39	0.27	1.26	4XM5	4.91
3/4"	3.88	2.75	4X1/2"	0.78	1.57	5.17	2.71	1.95	0.53	0.35	3.88	4 X Ø 0.62	0.59	3.23	0.39	0.27	1.26	4XM5	6.30
1"	4.25	3.12	4X1/2"	0.90	1.81	6.87	3.17	2.32	0.70	0.49	4.25	4 X Ø 0.62	0.78	3.38	0.47	0.31	1.65	4XM5	8.57
1 1/4"	4.62	3.50	4X1/2"	1.14	2.28	6.87	3.33	2.52	0.61	0.45	4.62	4 X Ø 0.62	0.98	3.93	0.47	0.31	1.65	4XM5	13.69
1 1/2"	5.00	3.88	4X1/2"	1.39	2.79	9.86	4.03	3.07	0.96	0.51	5.00	4 X Ø 0.62	1.26	4.13	0.63	0.39	1.97	4XM6	18.73
2"	6.00	4.75	4X5/8"	1.61	3.22	9.86	4.29	3.35	0.98	0.53	6.00	4 X Ø 0.75	1.57	4.52	0.63	0.39	1.97	4XM6	27.05
2 1/2"	7.00	5.50	4X5/8"	2.08	4.17	12.65	4.29	4.11	1.10	0.71	7.00	4 X Ø 0.75	1.97	4.92	0.78	0.55	2.76	4XM8	44.10
3"	7.50	6.00	4X5/8"	2.40	4.80	12.65	5.37	4.45	1.10	0.71	7.50	4 X Ø 0.75	2.52	5.90	0.78	0.55	2.76	4XM8	53.66
4"	9.00	7.50	8X5/8"	2.99	5.98	15.01	6.12	5.35	1.36	0.86	9.00	8 X Ø 0.75	2.99	6.26	0.94	0.70	4.02	4XM10	84.76

**M8E077\*\*\*** -

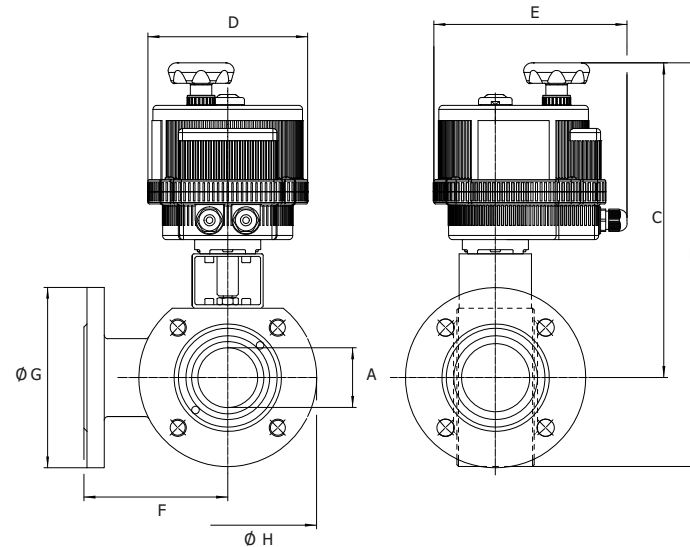
3-Way "L" Port Stainless Steel with S.S. Ball & Stem, ANSI 150 Flanged Wafer Ball Valve with Electric Actuator

**M8E086\*\*\***

3-Way "L" Port Carbon Steel with S.S. Ball & Stem, ANSI 150 Flanged Wafer Ball Valve with Electric Actuator



Largest Selection on the Internet



**776032 Series Valve**

Dimensions (in)

**8E086**

SIZE	1/2"	3/4"	1"	1-1/4"	1-1/2"	2"	2-1/2"	3"	4"
A	0.39	0.59	0.78	0.98	1.26	1.57	1.97	2.50	2.99
B	10.5	10.9	13.1	13.6	15.5	16.1	18.0	18.5	20.8
C	8.82	8.98	10.9	11.3	12.9	13.1	14.5	14.8	16.3
D	4.84	4.84	6.18	6.18	7.28	7.28	8.31	8.31	8.31
E	6.46	6.46	7.52	7.52	8.47	8.47	9.33	9.33	9.33
F	2.99	3.23	3.39	3.94	4.13	4.53	4.92	5.91	6.26
G	3.54	3.94	4.33	4.72	5.12	5.91	7.09	7.48	9.06
H	3.54	3.94	4.33	4.72	5.12	5.91	7.09	7.48	9.06
ACT.	VB015	VB015	VB030	VB030	VB060	VB060	VB110	VB110	VB190

	=		=	

3Way Electric Operated Carbon Steel Wafer Ball Valve

- Model M8E086-001 12 volt dc
- Model M8E086-011 12 volt dc Fail Safe
- Model M8E086-002 24 volt ac/dc
- Model M8E086-012 24 volt ac/dc w/ Fail Safe
- Model M8E086-003 100-240 vac
- Model M8E086-013 100-240 vac w/ Fail Safe

3 Way Electric Operated Stainless Steel Wafer Ball Valve

- Model M8E077-001 12 volt dc
- Model M8E077-011 12 volt dc w/ Fail Safe
- Model M8E077-002 24 volt ac/dc
- Model M8E077-012 24 volt ac/dc w/ Fail Safe
- Model M8E077-003 100-240 vac
- Model M8E077-013 100-240 vac w/ Fail Safe