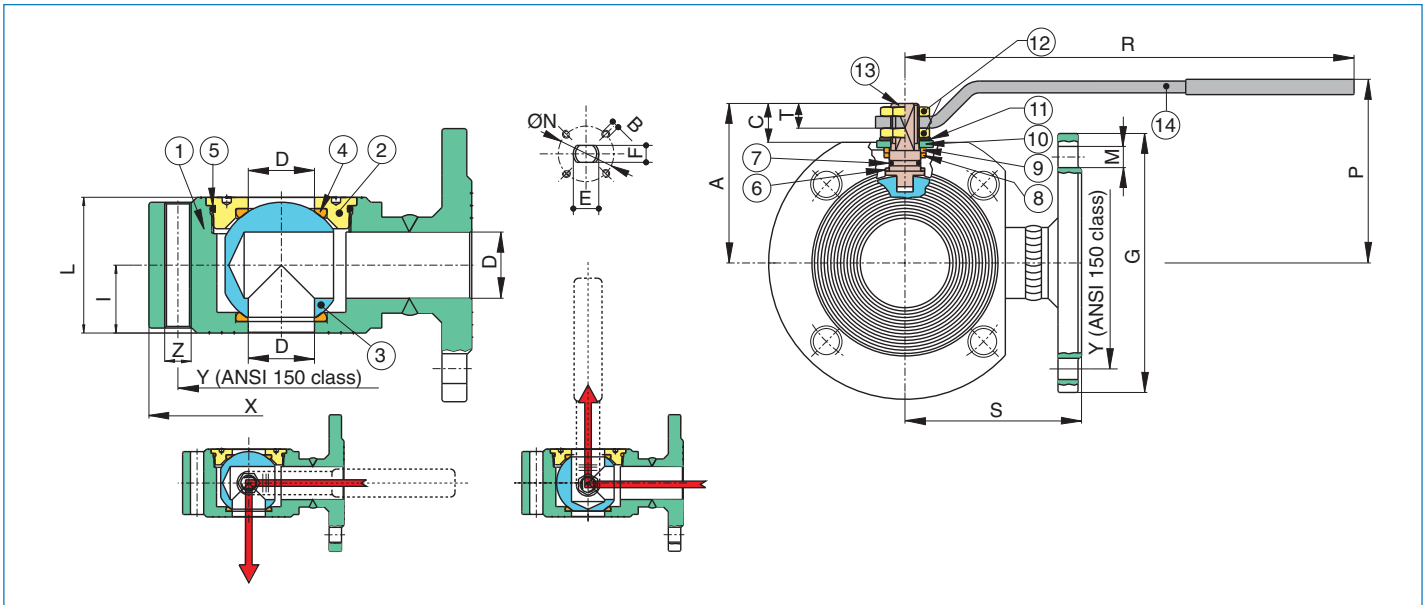


AIR OPERATED Spring Return or Double Acting STAINLESS STEEL or Carbon Steel (L) 3 WAY BALL VALVE



- Compact design, flanged ANSI 150 ball valve.
- 3 way, diverter, two seats, L reduced port, sizes 1/2" to 4".
 - Temperature to 344°F.
 - Blow out proof stem, adjustable stem packing.
 - P.T.F.E. seats, packing and thrust washer.
- 100% tested.
 - TUV T.A. Luft approved.
 - T port available on request



N Pos	PART NAME	MATERIAL stainless/carbon	N PCS
1	BODY	AISI 316 A105	1
2	END CONNECTION	AISI 316 A105	1
3	BALL	AISI 316 304	1
4	BALL SEATS	P.T.F.E	2
5	O-RING	FKM (Viton®)	1
6	THRUST WASHER	P.T.F.E	1
7	O-RING	FKM (Viton®)	1
8	STEM SEAT	P.T.F.E	1
9	PACKING GLAND	STEEL	1
10	END STOP	STEEL (1/2" - 2") STEEL (2 1/2" - 8")	2 1
11	SPRING WASHER	STEEL	2
12	NUT	STEEL	2
13	STEM	AISI 316	1
14	HANDLE	STEEL	1

SIZE	X	Y	Z UNC	I	L	R	P	A	C	T	G	M	D	S	E	F	ØN	B	Lbs
1/2"	3.50	2.38	4X1/2"	0.78	1.57	5.17	2.54	1.85	0.61	0.35	3.50	4 X Ø 0.62	0.39	2.99	0.39	0.27	1.26	4XM5	4.91
3/4"	3.88	2.75	4X1/2"	0.78	1.57	5.17	2.71	1.95	0.53	0.35	3.88	4 X Ø 0.62	0.59	3.23	0.39	0.27	1.26	4XM5	6.30
1"	4.25	3.12	4X1/2"	0.90	1.81	6.87	3.17	2.32	0.70	0.49	4.25	4 X Ø 0.62	0.78	3.38	0.47	0.31	1.65	4XM5	8.57
1 1/4"	4.62	3.50	4X1/2"	1.14	2.28	6.87	3.33	2.52	0.61	0.45	4.62	4 X Ø 0.62	0.98	3.93	0.47	0.31	1.65	4XM5	13.69
1 1/2"	5.00	3.88	4X1/2"	1.39	2.79	9.86	4.03	3.07	0.96	0.51	5.00	4 X Ø 0.62	1.26	4.13	0.63	0.39	1.97	4XM6	18.73
2"	6.00	4.75	4X5/8"	1.61	3.22	9.86	4.29	3.35	0.98	0.53	6.00	4 X Ø 0.75	1.57	4.52	0.63	0.39	1.97	4XM6	27.05
2 1/2"	7.00	5.50	4X5/8"	2.08	4.17	12.65	4.29	4.11	1.10	0.71	7.00	4 X Ø 0.75	1.97	4.92	0.78	0.55	2.76	4XM8	44.10
3"	7.50	6.00	4X5/8"	2.40	4.80	12.65	5.37	4.45	1.10	0.71	7.50	4 X Ø 0.75	2.52	5.90	0.78	0.55	2.76	4XM8	53.66
4"	9.00	7.50	8X5/8"	2.99	5.98	15.01	6.12	5.35	1.36	0.86	9.00	8 X Ø 0.75	2.99	6.26	0.94	0.70	4.02	4XM10	84.76

8P0181 (L)

3-Way "WAFER" ball valve (diverting), "L" port, two seats, ANSI 150 flanged, in Stainless Steel, REDUCED bore, with Double Acting actuator.

8P0182 (L)

3-Way "WAFER" ball valve (diverting), "L" port, two seats, ANSI 150 flanged, in Stainless Steel, REDUCED bore, with Spring Return actuator.

8P0183 (L)

3-Way "WAFER" ball valve (diverting), "L" port, two seats, ANSI 150 flanged, in Carbon Steel, REDUCED bore, with Double Acting actuator.

8P0184 (L)

3-Way "WAFER" ball valve (diverting), "L" port, two seats, ANSI 150 flanged, in Carbon Steel, REDUCED bore, with Stainless Steel actuator.

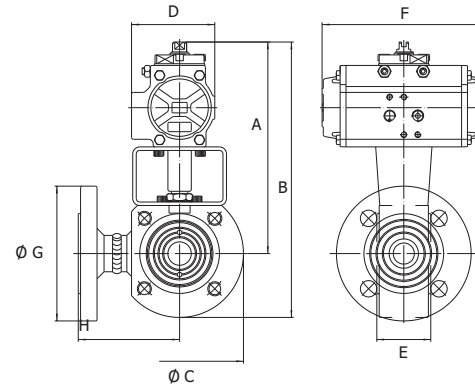
(L) = L-Port



VALVE WITH DOUBLE ACTING ACTUATOR

Dimensions (in)

Size	1/2"	3/4"	1"	1-1/4"	1-1/2"	2"	2-1/2"	3"	4"
A	5.78	6.92	7.12	7.40	8.42	9.33	10.4	10.7	12.7
B	7.51	8.85	9.25	9.96	11.1	12.4	13.9	14.7	17.0
Ø C	3.50	3.89	4.29	5.11	5.51	6.29	7.08	7.87	8.66
D	1.77	2.79	2.79	2.79	3.18	3.74	4.17	4.17	4.84
E	1.52	1.57	1.81	2.28	2.79	3.22	4.17	4.80	5.98
F	4.33	5.51	5.51	5.51	6.37	8.14	9.37	9.37	10.7
Ø G	3.50	3.88	4.25	4.62	5.00	6.00	7.00	7.50	9.00
H	2.99	3.22	3.38	3.93	4.13	4.52	4.92	5.90	6.25
ACT.	32	52	52	52	63	75	85	85	100



VALVE WITH SPRING RETURN ACTUATOR

Dimensions (in)

Size	1/2"	3/4"	1"	1-1/4"	1-1/2"	2"	2-1/2"	3"	4"
A	6.73	7.36	7.55	7.83	9.52	10.3	12.9	13.7	14.7
B	8.50	9.29	9.68	10.3	12.2	13.4	16.4	17.6	18.7
Ø C	3.50	3.89	4.29	5.11	5.51	6.29	7.08	7.87	8.66
D	2.79	3.18	3.18	3.18	4.17	4.84	5.39	5.82	5.82
E	1.57	1.57	1.81	2.28	2.79	3.22	4.17	4.80	5.98
F	5.51	6.37	6.37	6.37	9.37	10.7	12.9	14.4	14.4
Ø G	3.50	3.88	4.25	4.62	5.00	6.00	7.00	7.50	9.00
H	2.99	3.22	3.38	3.93	4.13	4.52	4.29	5.90	6.25
ACT.	52	63	63	63	85	100	115	125	125