

Job Name :

Contractor :

Job Location :

Approval :

Engineer :

Contractor's P.O. :

Approval :

Representative :



Series 8100 9100

Class 150, High Performance Wafer Style Butterfly Valves

Features

- ISO 5211 Pad and Stem for Direct Mounting
- Compact Design, Easy Access to Packing
- Replaceable Seat Design
- Multiple V-Ring Stem Packing
- Reliable and Consistent Torques
- Optional Metal to Metal and PTFE Seat Design
- 14" to 24" Sizes Available Upon Request

Specifications

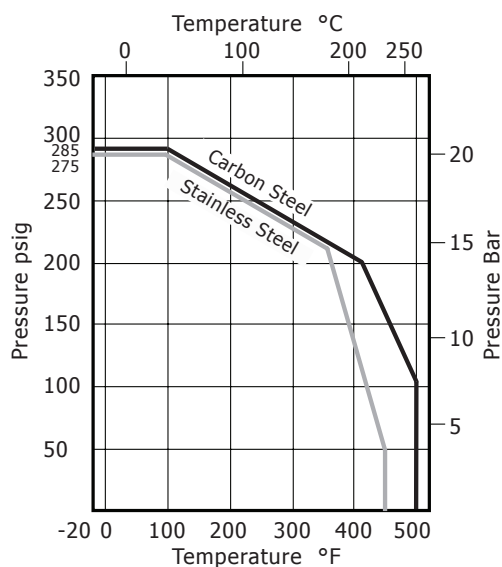
Bonomi North America Series 8100/9100, double offset design high performance Wafer style butterfly valves, in sizes 2" to 12" are ANSI class 150, and come in both carbon steel and stainless steel versions. The carbon steel models have ASTM A216 WCB bodies and ASTM A351 CF8M discs. The stainless Steel models come with ASTM A351 CF8M bodies and discs.

The stem is made from 17-4 PH stainless for extreme hardness, disc support, and is blowout proof. The seat is made from carbon graphite filled PTFE for higher temperature and pressure performance and consistency.

The ISO 5211 mounting pad and square stem allow for direct mounting of actuation.

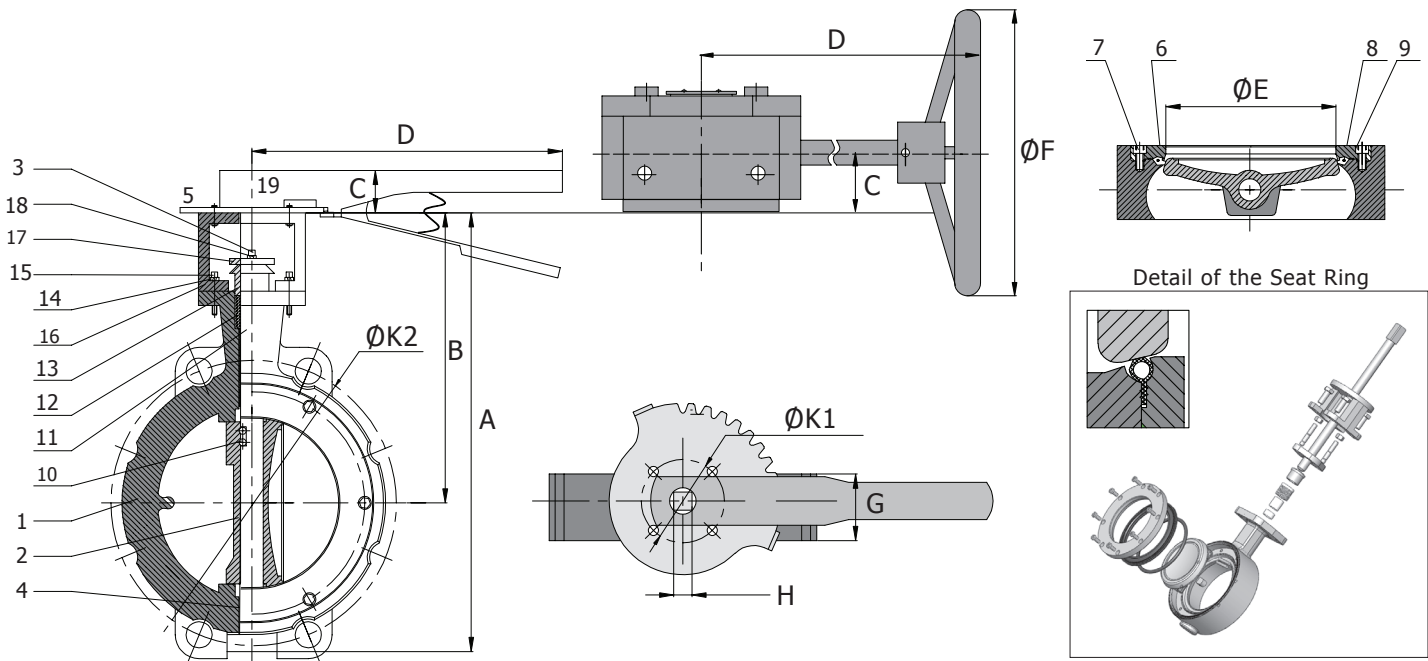
The 8100/9100 Series are designed to meet or exceed the following standards: API 598 testing; designed to API 609, ANSI 16.5, MSS SP-25 marking; MSS SP-61 testing; and MSS SP-68 design.

Pressure - Temperature Chart and Cv Flow Chart



Cv Flow Chart (degree open vs. % full Cv)

Valve Size	10°	20°	30°	40°	50°	60°	70°	80°	90°
2"	1.5	6	14	25	39	56	76	99	102
2-1/2"	2.2	9	21	37	56	80	110	142	146
3"	3.4	14	32	57	87	125	171	221	228
4"	6.8	27	63	114	171	248	338	437	451
5"	10.8	43	100	180	271	392	535	692	714
6"	16.5	66	154	278	419	607	827	1070	1103
8"	30.9	124	289	520	784	1135	1584	2002	2064
10"	52.8	211	492	886	1336	1934	2638	3411	3517
12"	72.6	290	677	1219	1838	2660	3628	4690	4837
14"	90	392	914	1646	2481	3592	4898	6530	6857
16"	132	531	1230	2229	3361	4865	6634	8845	9287
18"	171	684	1596	3873	4332	6270	8550	11270	11400
20"	207	828	1932	3478	5244	7590	10350	13800	14420
24"	316	1260	2940	5292	7890	11550	15750	21000	22050



Dimensions

Size	A	B	C	D	ØE	ØF	G	H mm	ØK1	ØK2	Break Torque in/Lbs.	Psi Carbon/ Stainless	Lbs
2"	9.42	6.42	1.26	10.5	2.45	n/a	1.75	11	F07	4.75x4x0.69	201	285/275	15
2-1/2"	9.13	6.42	1.26	10.5	2.91	n/a	1.88	11	F07	5.50x4x0.69	233	285/275	18
3"	10.43	7.40	1.26	10.5	3.37	n/a	1.92	11	F07	6.00x4x0.69	254	285/275	20
4"	11.73	8.23	1.26	10.5	4.25	n/a	2.13	11	F07	7.50x8x0.69	305	285/275	28
5"	13.32	9.07	1.26	10.5	5.30	n/a	2.25	14	F07	8.50x8x0.81	576	285/275	34
6"	14.50	9.60	1.26	10.5	6.40	n/a	2.31	14	F07	9.50x8x0.81	848	285/275	51
8"	16.30	10.80	1.26	13.9	8.35	n/a	2.50	17	F10	11.75x8x0.81	1505	285/275	79
10"	19.26	11.36	1.54	8.90	10.16	11.8	2.81	17	F10	14.25x12x0.94	2744	285/275	117
12"	23.00	14.37	1.54	8.90	11.93	11.8	3.23	17	F14	17.00x12x0.94	4602	285/275	166

Bill of Materials

No.	Part Name	Material	Pcs.
1	Body	WCB / CF8M	1
2	Disc	CF8M	1
3	Stem Bolt	304 Stainless Steel	2
4	Stem Bushing	316 Stainless Steel+PTFE	3
5	Plate	304 Stainless Steel	1
6	Seat Retainer	WCB / CF8M	1
7	Retainer Screw	304 Stainless Steel	6-8
8	O-Ring	Viton®	1
9	Seat	Carbon Filled PTFE	1
10	Pin	316 Stainless Steel	2

No.	Part Name	Material	Pcs.
11	Stem	AISI 17-4PH	1
12	V-Ring	PTFE	6-9
13	Gland Bushing	316 Stainless Steel	1
14	Spring Washer	304 Stainless Steel	4
15	Hex Bolt	304 Stainless Steel	4
16	Mounting Flange	WCB / CF8M	1
17	Gland	CF8M	1
18	Nut	304 Stainless Steel	2
19	Handle	Malleable Iron	1