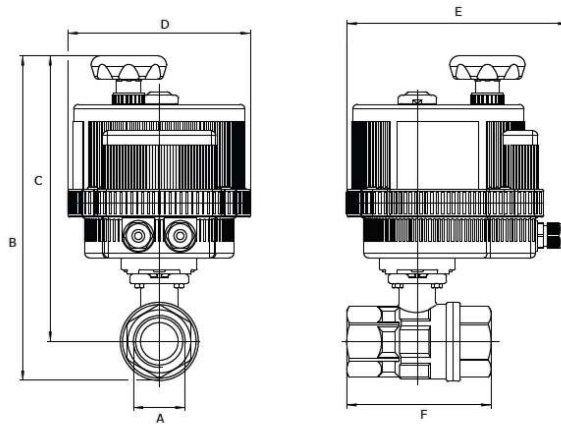


# S&K AUTOMATION

“Leading US Supplier of Valves and Valve Automation”

## Lead Free Electric Ball Valve

**8E064LF\*\*\*** - Direct Mount, 2-way LEAD Free Brass Full Port Ball Valve with Electric Actuator



250N LEAD Free Ball Valve						8E064LF		
SIZE	1/4"	3/8"	1/2"	3/4"	1"	1-1/4"	1-1/2"	2"
A	.250	.375	.500	.750	1.00	1.25	1.50	2.00
B	7.51	7.51	7.51	7.72	8.33	8.63	11.3	12.0
C	6.85	6.85	6.85	6.93	7.36	7.50	9.92	10.2
D	4.84	4.84	4.84	4.84	4.84	4.84	6.18	6.18
E	6.41	6.41	6.41	6.41	6.41	6.41	7.50	7.50
F	2.64	2.64	2.64	3.00	3.35	3.66	4.15	4.80
ACT.	VB015	VB015	VB015	VB015	VB015	VB015	VB030	VB030

Dimensions (in) \* Available 2011

*** Voltage Supply Order Suffix				
FOR MOD. VB015	12V AC/DC = 001	24V AC/DC = 002	110V AC = 003	220V AC = 005
FOR MOD. VB30	24V AC/DC = 002	110 to 240V AC = 004		

### LEAD FREE VALVES AND FITTINGS

New lead free legislation in California and in a few other States has brought awareness and the need to initiate lead free laws for potable water systems throughout the United States.

The California Assembly bill AB1953 lowered the lead content standards for plumbing fixtures, valves, fittings and pipes. These new laws reduce the allowed content of lead from 8% to less than 0.25% of all products that contact water used for drinking or cooking.

Effective January 1st, 2010, although still in its infancy, lead free legislation is quickly developing everywhere, and we believe will be the standard for brass valves in the very near future.