



SERIES 8E064LF DIRECT MOUNT 2 WAY BALL VALVE



HEALTH EFFECTS US-CA NSF 372

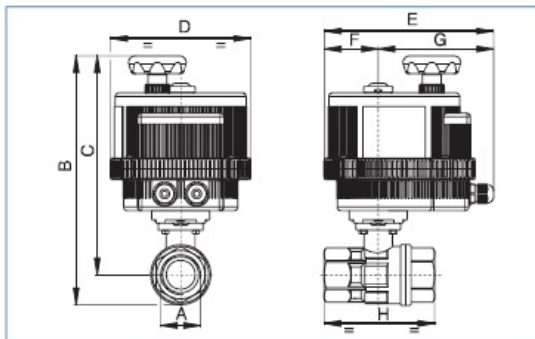
Lead Free Brass Ball valve, with Electric Actuator.

- Full port from 1/2" to 2" npt female end connections
- Pressure rating 600 WOG - 150 WSP.
- Temperature up to 366°F.
- Blow out proof stem, T.E.A coated brass ball.
- P.T.F.E. seats with O-ring backing for low operating torque.
- P.T.F.E. seats and double O-ring stem packing.
- 100% electronically tested in the open and closed position at 80 psi.

SERIES 8E064LF-voltage suff-size



psi		600	600	600	600	600	600
DN - A		1/2"	3/4"	1"	1 1/4"	1 1/2"	2"
B		7,51	7,72	8,33	8,65	11,36	12,08
C		6,85	6,93	7,36	7,50	9,92	10,28
D		4,84	4,84	4,84	4,84	6,18	6,18
E		6,41	6,41	6,41	6,41	7,48	7,48
F		1,67	1,67	1,67	1,67	2,38	2,38
G		4,74	4,74	4,74	4,74	5,10	5,10
H		2,64	3,00	3,35	3,66	4,13	4,80
ACT.		VB 015	VB 015	VB 015	VB 015	VB 030	VB 030



VOLTAGE SUFFIX		
	VOLTAGE SUFFIX	VOLTAGE
STANDARD	001	12V AC/DC
	002	24V AC/DC
	003	100-240 VAC
FAIL-SAFE	012	24V AC/DC
	013	100-240 VAC
POSITIONER	021	12V AC/DC
	022	24V AC/DC
	023	100-240 VAC
POSITIONER + FAIL SAFE	032	24V AC/DC
	033	100-240 VAC

S&K Automation, LLC P: 763-476-1013 Web: www.sk-automation.com