

SR Series

Spring Return Handle For 2-Way Ball Valves

J-Flow's SR Series, spring return handle (also called dead man handle) was well designed as a heavy duty type for long term operation. The most characteristic of the SR Series is the locking device option.

The SR Series is designed to mount upon the ISO 5211 direct mounting pad. This will be convenient to replace a standard handle to a SR Series. It is easy to replace the handles after long term service without discarding the entire valve. It is also economical to stock the spring handles separately.



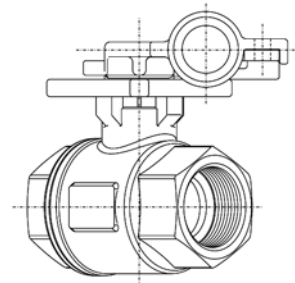
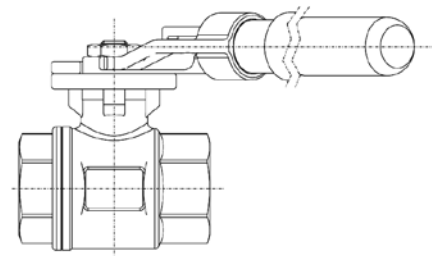
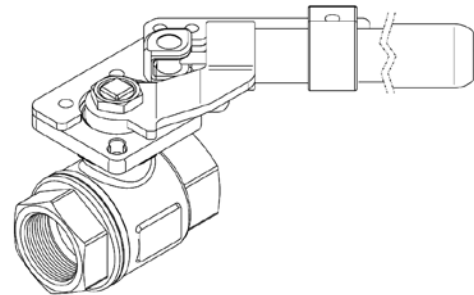
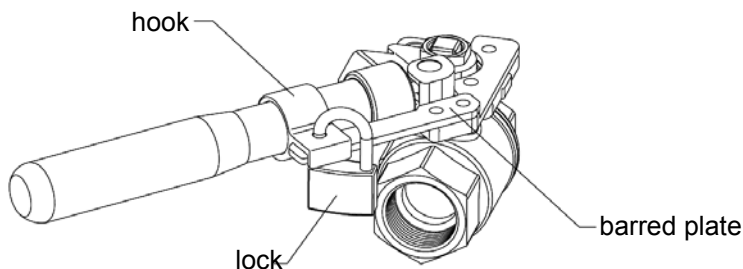
SR spring return handle with locking devices

SPECIFICATIONS

- SS spring handle
- Heavy duty design
- For ISO 5211 direct mounting pad

OPTION

- Locking devices



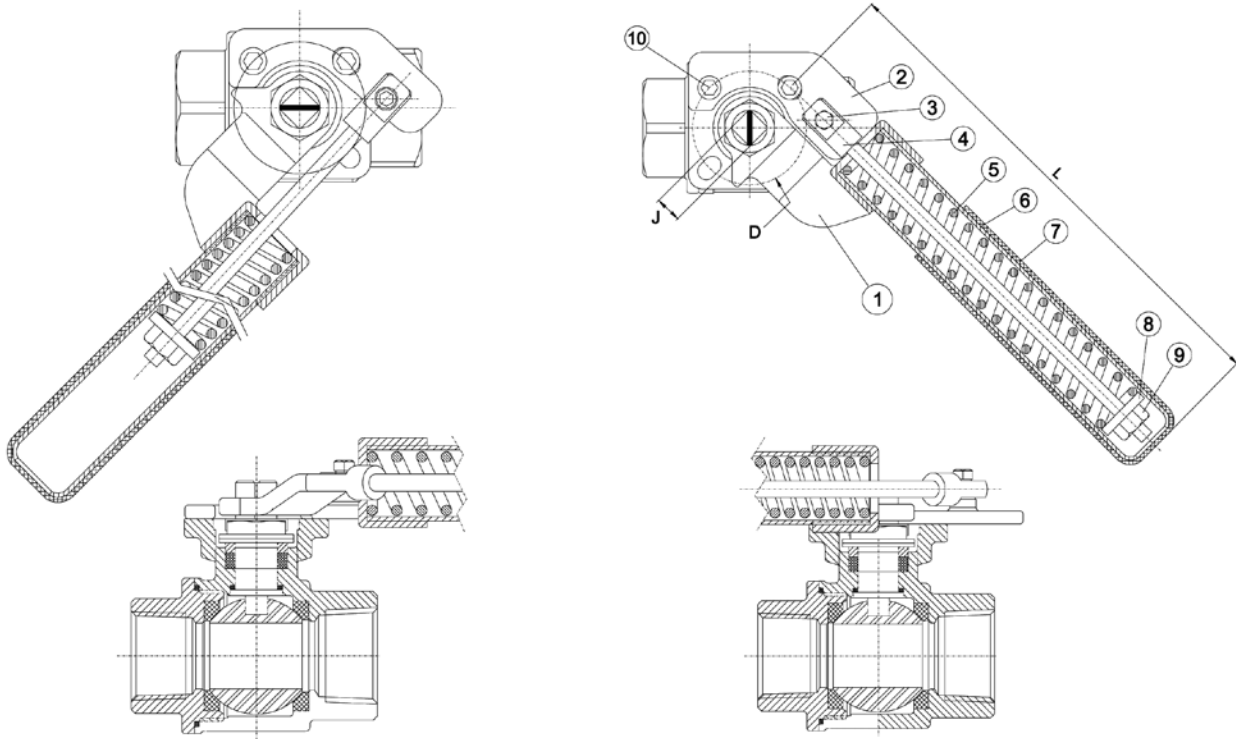


• Dead Man Handle



• With SR Spring Handle

SPRING RETURN HANDLE DIMENSIONS & BILL OF MATERIALS

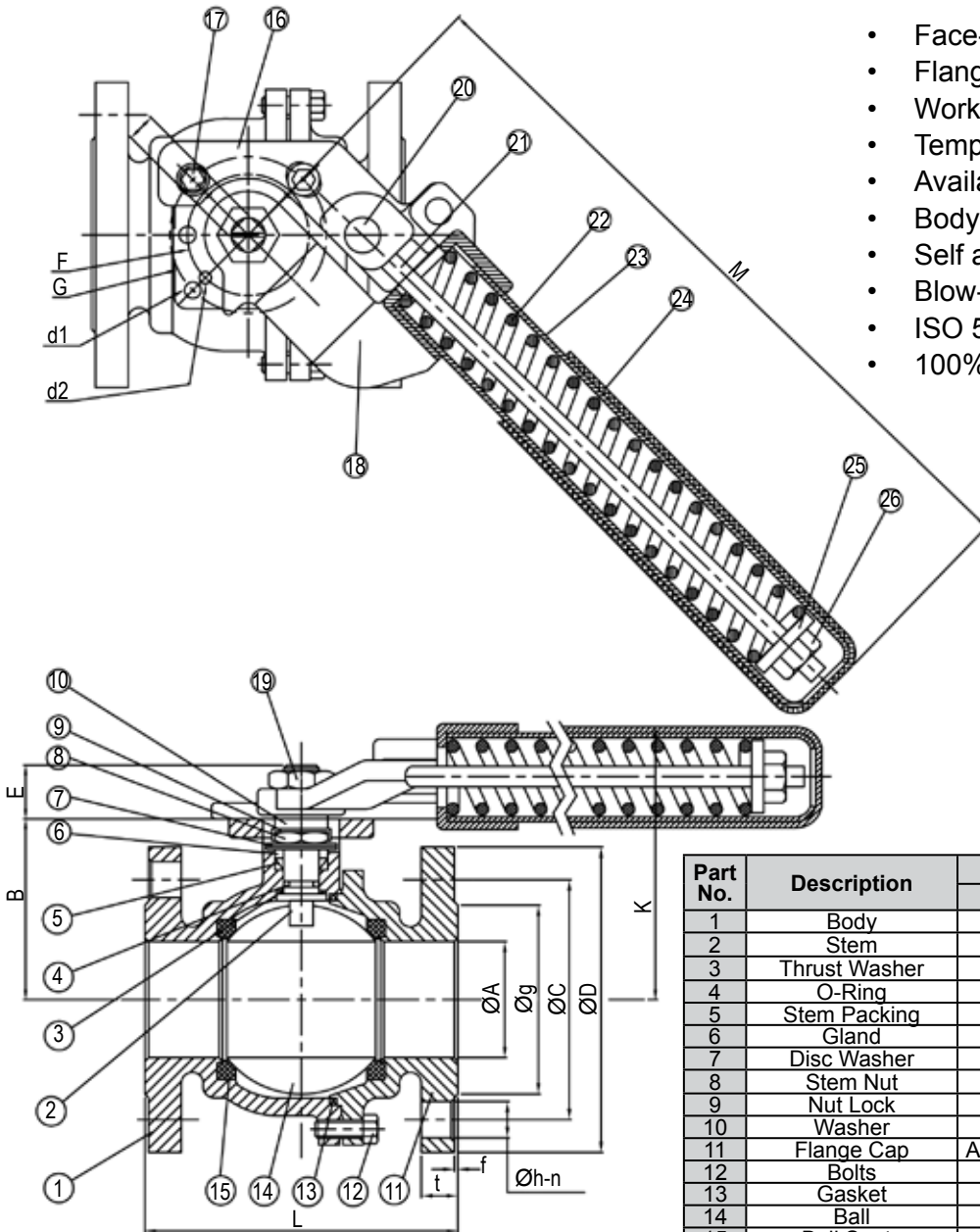


Part No.	Description	Material
1	Handle Head	CF8
2	Anchor	CF8M
3	Anchor Screw	SS 316
4	Spring Rod	SS 316
5	Spring	SS 301
6	Handle Extension	SS 304
7	Sleeve	PVC
8	Washer	SS 304
9	Hex Nut	SS 304
10	Socket Head Screw	SS 304

Size	L	J	D (ISO 5211)
1/4" - 3/4"	6.69	0.35	F03/F04
1" & 1-1/4"	8.66	0.43	F04
1-1/2" & 2"	11.02	0.55	F05

SPRING RETURN HANDLE ON DM2500 SERIES

- Face-to-face - ANSI B16.10
- Flange Connection: ANSI B16.50
- Working Pressure: 275 psi
- Temperature Range: -20°F ~ 400°F
- Available in Stainless or Carbon Steel
- Body & flange cap are investment cast
- Self adjusting stem packing
- Blow-out proof stem design
- ISO 5211 direct mounting pad
- 100% air tested under water at 80 psi

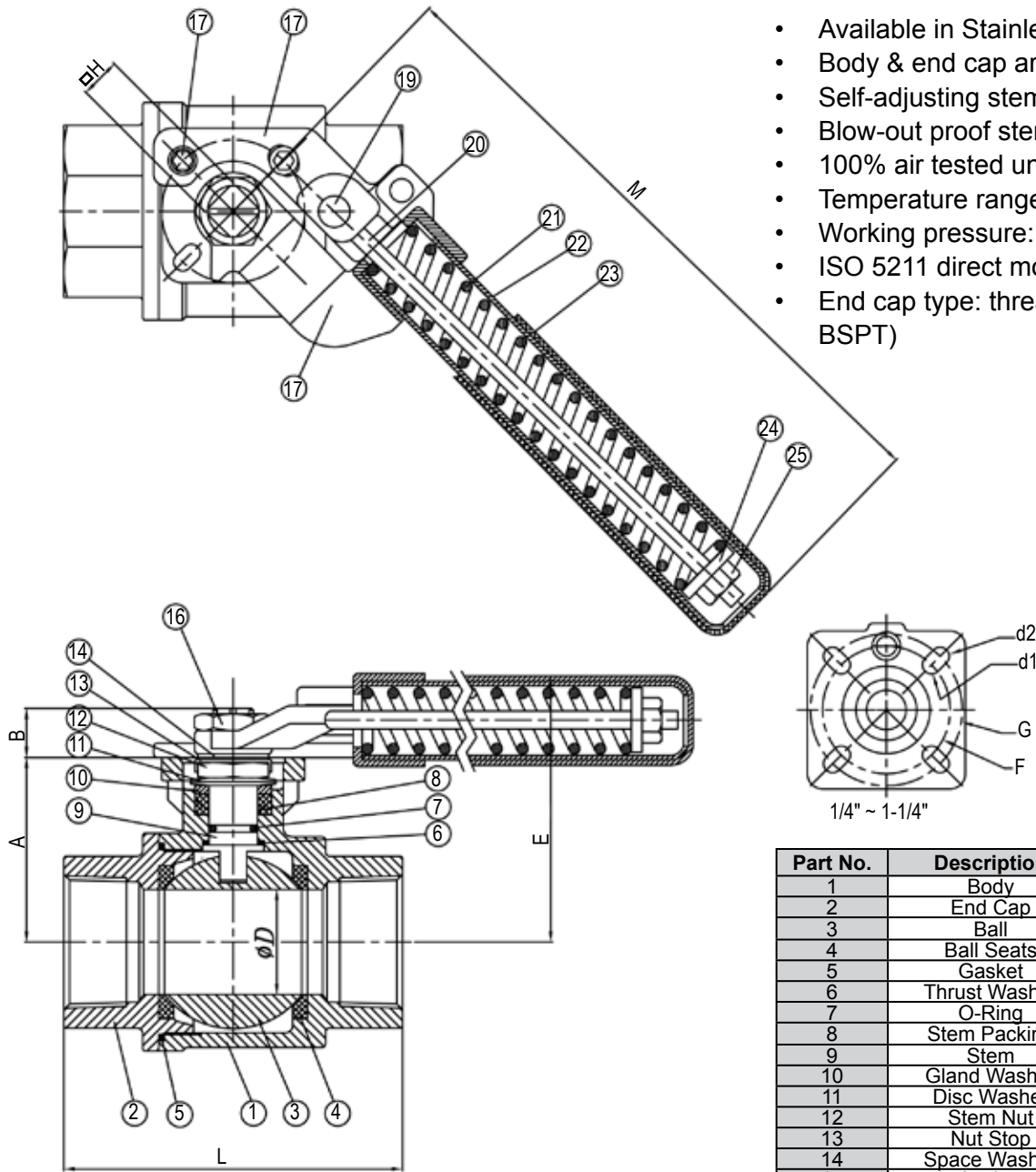


Part No.	Description	Material	
		Stainless Steel	Carbon Steel
1	Body	CF8M/DIN 1.4408	WCB/DIN 1.0619
2	Stem	SS 316	SS 316
3	Thrust Washer	TFM	TFM
4	O-Ring	Viton	Viton
5	Stem Packing	TFM	TFM
6	Gland	SS 304	SS 304
7	Disc Washer	SS 301	SS 301
8	Stem Nut	SS 304	SS 304
9	Nut Lock	SS 304	SS 304
10	Washer	SS 304	SS 304
11	Flange Cap	ASTM A351 Gr. CF8M	ASTM A216 Gr. WCB
12	Bolts	SS 304	Carbon Steel
13	Gasket	TFM	TFM
14	Ball	SS 316	SS 316
15	Ball Seats	TFM	TFM
16	Anchor	CF8M	CF8
17	Socket Head Screw	SS 304	SS 304
18	Handle Head	CF8	CF8
19	Handle Nut	SS 304	SS 304
20	Anchor Screw	SS 304	SS 304
21	Spring Rod	SS 304	SS 304
22	Spring	SWP-B	SWP-B
23	Handle Extension	SS 304	SS 304
24	Grip	PVC	PVC
25	Washer	SS 304	SS 304
26	Hex Nut	SS 304	

Size	A	B	E	L	H	K	M	F	G	d1	d2	Flange Dimensions (Class 150)						
												D	Bolt Hole			t	g	f
													C	h	n			
1/2"	0.59	1.89	0.43	4.25	0.35	3.15	5.12	1.42	1.65	0.24	0.24	3.50	2.38	0.63	0.2	0.45	1.38	0.06
3/4"	0.79	2.09	0.43	4.61	0.35	3.15	5.12	1.42	1.65	0.24	0.24	3.86	2.76	0.63	0.2	0.45	1.69	0.06
1"	0.98	2.32	0.55	5.00	0.43	3.54	6.50	1.65	1.97	0.24	0.28	4.25	3.13	0.63	0.2	0.45	2.01	0.06
1-1/4"	1.26	2.80	0.55	5.51	0.43	4.02	6.50	1.65	1.97	0.24	0.28	4.61	3.50	0.63	0.2	0.50	2.52	0.06
1-1/2"	1.50	2.99	0.71	6.50	0.55	4.33	8.07	1.97	2.76	0.28	0.36	5.00	3.88	0.63	0.2	0.56	2.87	0.06
2"	1.97	3.35	0.71	7.01	0.55	4.72	8.07	1.97	2.76	0.28	0.36	5.98	4.74	0.75	0.2	0.63	3.62	0.06

SPRING RETURN HANDLE ON DM3833F SERIES

- Available in Stainless or Carbon Steel
- Body & end cap are investment cast
- Self-adjusting stem packing
- Blow-out proof stem design
- 100% air tested under water at 80 psi
- Temperature range -20°F ~ 400°F
- Working pressure: 100 psi
- ISO 5211 direct mounting pad
- End cap type: threaded (NPT, BSP, BSPT)

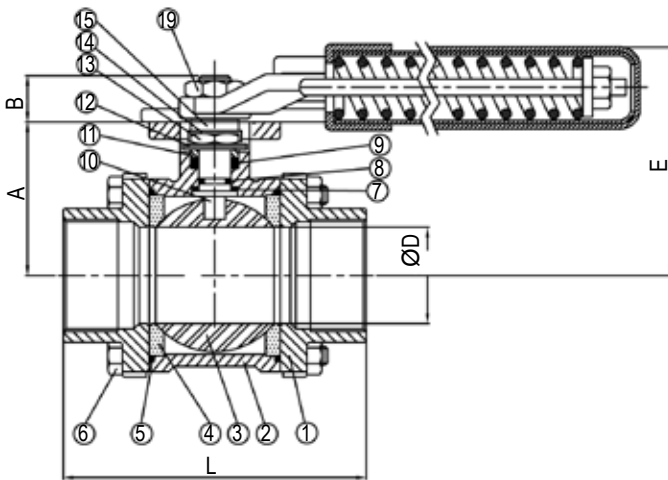
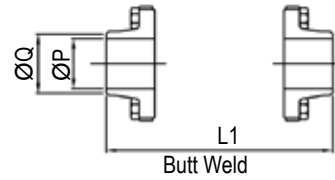
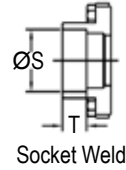
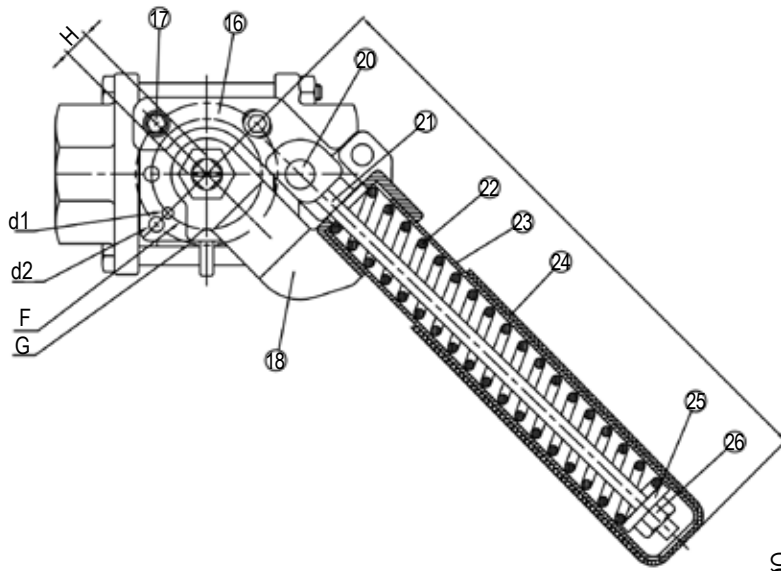


Part No.	Description	Material
1	Body	CF8M
2	End Cap	CF8M
3	Ball	SS 316
4	Ball Seats	PTFE
5	Gasket	PTFE
6	Thrust Washer	RPTFE
7	O-Ring	Viton
8	Stem Packing	PTFE
9	Stem	SS 316
10	Gland Washer	SS 304
11	Disc Washer	SS 301
12	Stem Nut	SS 304
13	Nut Stop	SS 304
14	Space Washer	SS 304
15	Anchor	CF8
16	Socket Head Screw	SS 304
17	Handle Head	CF8
18	Handle Nut	SS 304
19	Anchor Screw	SS 304
20	Spring Rod	SS 304
21	Spring	SWP-B
22	Handle Extension	SS 304
23	Grip	PVC
24	Washer	SS 304
25	Hex Nut	SS 304

Size	A	B	D	d1	d2	E	F	G	H	L	M
1/2"	1.46	0.35	0.43	0.24	0.24	2.60	1.42	1.65	0.35	2.22	5.12
3/8"	1.46	0.35	0.49	0.24	0.24	2.60	1.42	1.65	0.35	2.22	5.12
1/2"	1.46	0.35	0.59	0.24	0.24	2.60	1.42	1.65	0.35	2.32	5.12
3/4"	1.57	0.43	0.79	0.24	0.24	2.72	1.42	1.65	0.35	2.83	5.12
1"	1.89	0.55	0.98	0.24	0.28	3.15	1.65	1.97	0.43	3.13	6.30
1-1/4"	2.11	0.55	1.26	0.24	0.28	3.35	1.65	1.97	0.43	3.78	6.30
1-1/2"	2.50	0.71	1.50	0.28	-	3.86	1.97	-	0.55	4.11	8.07
2"	2.83	0.71	1.97	0.28	-	4.17	1.97	-	0.55	4.86	8.07

SPRING RETURN HANDLE ON DM4533F SERIES

- Available in stainless or carbon steel
- Body & end cap are investment cast
- Self adjusting stem packing
- Blow-out proof stem design
- 100% air tested under water at 100 psi
- Temperature Range: -20°F ~ 400°F
- Working pressure: 1000 psi
- ISO 5211 direct mounting pad
- End cap type: threaded, socket weld, butt weld



Part No.	Description	Material
1	End Cap	CF8M
2	Body	CF8M
3	Ball	SS 316
4	Ball Seats	TFM
5	Gasket	TFM
6	Bolts	SS 304
7	Thrust Washer	TFM
8	O-Ring	Viton
9	Stem Packing	TFM
10	Stem	SS 316
11	Gland	SS 304
12	Disk Washer	SS 301
13	Stem Nut	SS 304
14	Nut Stop	SS 304
15	Space Washer	SS 304
16	Anchor	CF8
17	Socket Head Screw	SS 304
18	Handle Head	CF 8
19	Handle Nut	SS 304
20	Anchor Screw	SS 304
21	Spring Rod	SS 304
22	Spring	SWP-B
23	Handle Extension	SS 304
24	Grip	PVC
25	Washer	SS 304
26	Hex Nut	SS 304

Size	A	B	D	d1	d2	E	F	G	H	L	M	S	T	P	Q	L1
1/4"	1.46	0.43	0.43	0.24	0.24	2.28	1.42	1.65	0.35	2.38	5.12	0.56	0.44	0.39	0.49	2.38
3/8"	1.46	0.43	0.49	0.24	0.24	2.28	1.42	1.65	0.35	2.38	5.12	0.69	0.44	0.47	0.57	2.38
1/2"	1.46	0.43	0.59	0.24	0.24	2.28	1.42	1.65	0.35	2.50	5.2	0.86	0.50	0.59	0.69	2.50
3/4"	1.57	0.43	0.79	0.24	0.24	2.52	1.42	1.65	0.35	2.97	5.12	1.07	0.56	0.79	0.89	2.97
1"	1.89	0.55	0.98	0.24	0.28	3.03	1.65	1.97	0.43	3.39	6.10	1.33	0.63	0.98	1.10	3.39
1-1/4"	2.11	0.55	1.26	0.24	0.28	3.27	1.65	1.97	0.43	3.78	6.10	1.67	0.69	1.26	1.38	4.09
1-1/2"	2.50	0.71	1.50	0.28	0.35	3.62	1.97	2.76	0.55	4.37	8.07	1.92	0.75	1.50	1.61	4.61
2"	2.83	0.71	1.97	0.28	0.35	3.94	1.97	2.76	0.55	5.08	8.07	2.41	0.87	1.97	2.13	5.43