



FEATURES / SPECIFICATIONS:

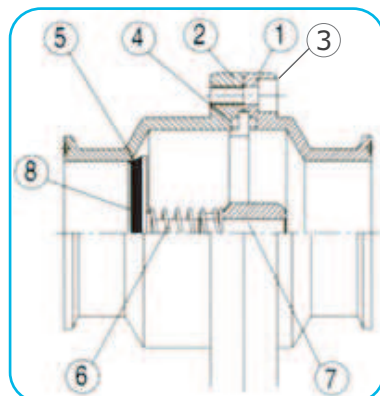
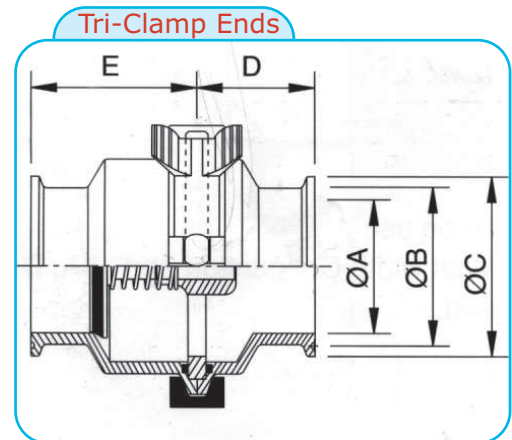
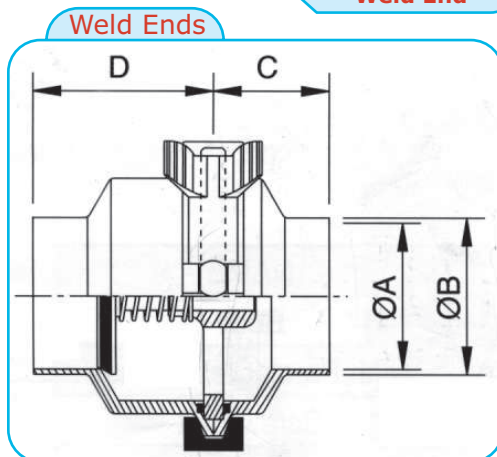
- ASTM 316L Stainless construction
- Polished body and internals - 25 Ra
- Body stem & disk : stainless, 316L, precision machined.
- Angle design for precision open and close.
- Can be used on viscous liquids.
- Stainless steel spring in both tri-clamp and weld end designs
- Seal Ring: Viton® standard (EPDM available)
- Internal Body O-Ring: Buna
- Suitable for Food, Pharmaceutical, Dairy, and other Sanitary Industries
- Maximum operating temperature/pressure - 250F/150PSI
- Size: 1/2"- 6"

Size	A	B	C	D
1.0"	22.2	25.65	38	59
1.5"	34.9	38.35	38	59
2.0"	47.6	51.05	38	59
2.5"	60.3	63.75	38	59
3.0"	73.0	76.45	38	59
4.0"	97.0	105.0	44	50

Weld End

Size	A	B	C	D	E
1/2"	9.5	17.5	25.4	28	39
3/4"	15.9	17.5	25.4	28	39
1.0"	22.2	43.5	50.5	42	59
1.5"	34.9	43.5	50.5	42	59
2.0"	47.6	56.5	64	42	59
2.5"	60.3	70.5	77.5	42	59
3.0"	73.0	83.5	91	42	59
4.0"	97.0	112.5	119	59	66

Clamp end



Item	Part Name
1	short body
2	long body
3	S/S screw (4" only)
4	O-ring
5	seal-ring
6	ST.ST spring
7	flow support plate
8	disc

CSE-316L