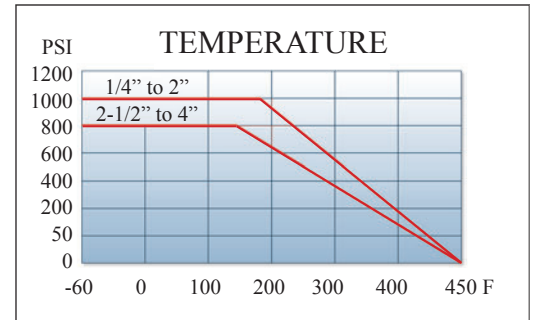
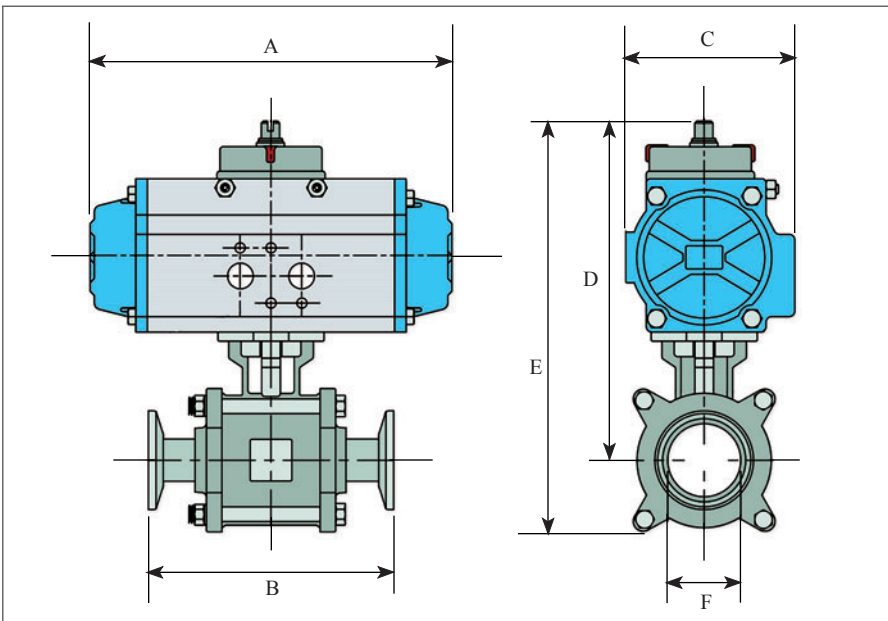


SERIES SR — **8P0772 (Non-Cavity Filled)**
8P0773 (Cavity Filled)
 DA — **8P0770 (Non-Cavity Filled)**
8P0771 (Cavity Filled)

PNEUMATIC ACTUATED 2-WAY 3-PIECE DIRECT MOUNT SANITARY BALL VALVE

- ISO 5211 Mounting Pad
- Working Pressure 1000 Psi WOG (1/2" to 2") 800 Psi WOG (2-1/2" to 4")
- Temperature Range -60°F to 450°F
- Cavity Filled Seats
- Full Port



DIMENSIONS (in) DOUBLE ACTING							Non-Cavity Filled	Cavity Filled
Size	A	B	C	D	E	F	ACT.	ACT.
1/2"	5.49	3.50	2.80	5.17	5.36	0.37	52	—
3/4"	5.49	3.99	2.80	5.40	5.71	0.62	52	—
1"	5.49	4.50	2.80	5.74	6.18	0.87	52	—
1-1/2"	6.38	5.51	3.17	7.00	7.70	1.37	63	—
2"	8.15	6.25	3.72	7.95	8.60	1.87	75	—
2-1/2"	8.15	6.85	3.72	8.88	10.07	2.37	75	—
3"	9.35	7.60	4.17	9.69	11.13	2.87	85	—
4"	10.69	8.89	4.84	10.78	12.70	3.83	100	—
1/2"	5.49	3.50	2.80	5.17	5.36	0.37	—	52
3/4"	5.49	3.99	2.80	5.40	5.71	0.62	—	52
1"	5.49	4.50	2.80	5.74	6.18	0.87	—	52
1-1/2"	8.15	5.51	3.72	7.01	8.35	1.37	—	75
2"	8.15	6.25	3.72	7.95	8.89	1.87	—	75
2-1/2"	10.69	6.85	4.84	9.84	11.02	2.37	—	100
3"	10.69	7.60	4.84	10.20	11.63	2.87	—	100
4"	12.91	8.89	5.39	11.96	13.88	3.83	—	115

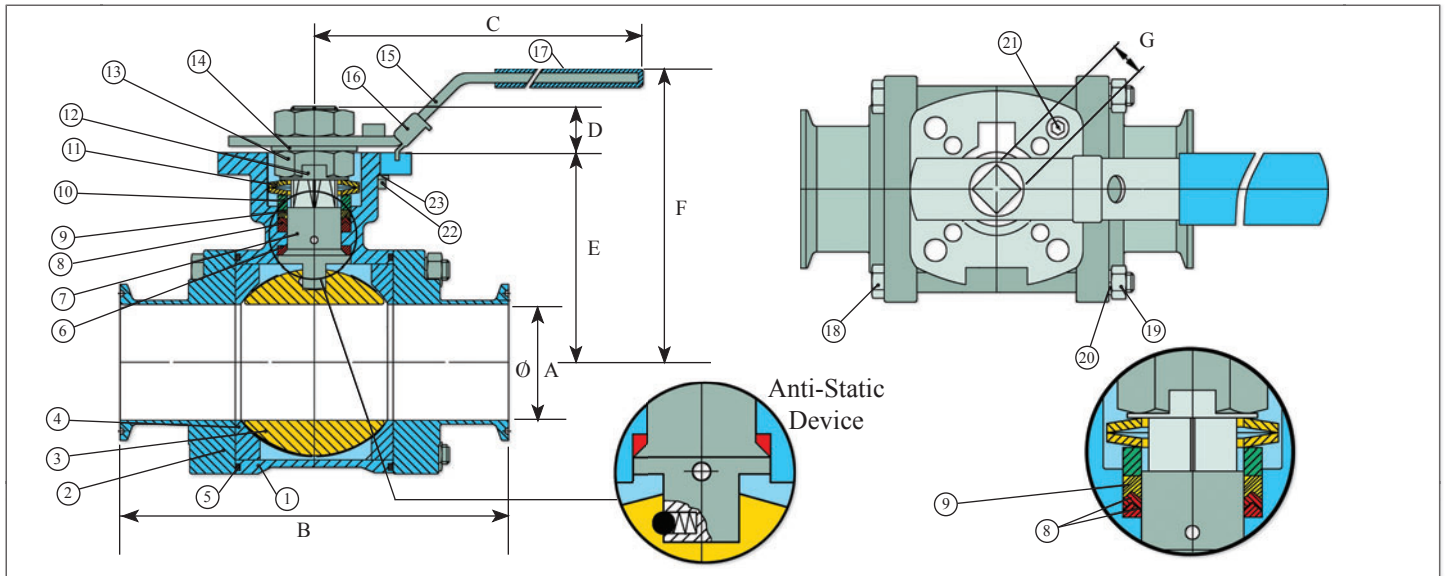
DIMENSIONS (in) SPRING RETURN							Non-Cavity Filled	Cavity Filled
Size	A	B	C	D	E	F	ACT.	ACT.
1/2"	6.38	3.50	3.17	5.61	5.79	0.37	63	—
3/4"	6.38	3.99	3.17	5.61	5.79	0.62	63	—
1"	8.15	4.50	3.72	6.83	7.27	0.87	75	—
1-1/2"	9.35	5.51	4.17	8.11	8.80	1.37	85	—
2"	10.69	6.25	4.84	8.91	9.85	1.87	100	—
2-1/2"	12.91	6.85	5.39	11.00	12.21	2.37	115	—
3"	14.41	7.60	5.83	11.85	13.30	2.87	125	—
4"	20.55	8.89	7.36	13.80	15.00	3.83	160	—
1/2"	6.38	3.50	3.96	5.10	5.80	0.37	—	63
3/4"	6.38	3.99	3.96	5.85	6.15	0.62	—	63
1"	8.15	4.50	4.61	6.83	7.26	0.87	—	75
1-1/2"	10.69	5.51	5.57	8.62	9.30	1.37	—	100
2"	12.91	6.25	6.75	10.10	11.00	1.87	—	115
2-1/2"	20.55	6.85	8.58	12.85	14.04	2.37	—	160
3"	20.55	7.60	8.58	13.20	14.65	2.87	—	160
4"	20.55	8.89	8.58	13.80	15.70	3.83	—	160

SERIES 770 - Non-Cavity Filled
771 - Cavity Filled

2-WAY 3-PIECE DIRECT MOUNT SANITARY BALL VALVE WITH LOCKING HANDLE

Stainless Steel Ball Valve - 2-Way, 3-Piece Valve Full Port

- Full Port
- ISO 5211 Mounting Pad
- Working Pressure 1000 Psi WOG (1/2" to 2") 800 Psi WOG (2-1/2" to 4")
- Temperature Range -60°F to 450°F
- Cavity Filled Seats
- Anti-Static



No.	Part Name	Material	No. Pcs.
1	Body	CF3M	1
2	End Cap	CF3M	2
3	Ball	316 S.S.	1
4	Seat	PTFE	2
5	Joint Gasket	PTFE	2
6	Stem Seal	PTFE	1
7	Stem	316 S.S.	1
8	Gland Packing	PTFE	2
9	Gland Packing	PTFE	1
10	Gland Bush	304 S.S.	1
11	Belleville Washer	301 S.S.	2
12	Stop Washer	304 S.S.	1
13	Stem Nut	304 S.S.	2
14	Stem Washer	304 S.S.	1
15	Handle	304 S.S.	1
16	Locking Device	304 S.S.	1
17	Handle Sleeve	VINYL	1
18	Bolt	304 S.S.	4
19	Bolt Nut	304 S.S.	4
20	Bolt Washer	304 S.S.	4
21	Stop Pin	304 S.S.	1
22	Pin Nut	304 S.S.	1
23	Washer	304 S.S.	1

Size	Ø A	B	C	D	E	F	G	Wt. Lbs.	Non-Cavity Filled	Cavity Filled	ISO 5211
									Break Torque	Break Torque	
1/2"	0.37	3.50	5.47	0.25	1.65	3.03	0.35	1.67	75 in/lbs	80 in/lbs	F03/F04
3/4"	0.62	3.99	5.47	0.27	1.88	3.26	0.35	1.91	85 in/lbs	90 in/lbs	F03/F04
1"	0.87	4.50	6.49	0.44	2.22	3.77	0.43	3.17	130 in/lbs	180 in/lbs	F04/F05
1-1/2"	1.37	5.51	8.46	0.55	3.05	4.99	0.55	7.24	204 in/lbs	410 in/lbs	F05/F07
2"	1.87	6.25	8.46	0.55	3.34	5.27	0.55	10.1	370 in/lbs	460 in/lbs	F05/F07
2-1/2"	2.37	6.85	11.81	0.67	4.27	6.54	0.66	21.8	610 in/lbs	980 in/lbs	F07/F10
3"	2.87	7.60	14.56	0.71	4.63	6.92	0.66	29.0	760 in/lbs	1050 in/lbs	F07/F10
4"	3.83	8.89	14.56	0.67	5.21	7.55	0.66	46.5	1315 in/lbs	1420 in/lbs	F07/F10