

SPECIFICATIONS

SERIES E



Static Pressure/Temp:	450psi / 300° F
Flow Characteristic:	Equal Percentage
Body Material:	Forged Brass 2 Piece Construction
End Connections:	Brass NPT Threads
Ball:	Chrome Plated Brass
Ball Seals:	PTFE Seals with Viton O-Rings
Stem Seals:	Single PTFE Seal and Dual Viton O-Rings
Service:	Chilled Water, Hot Water, up to 50% Glycol

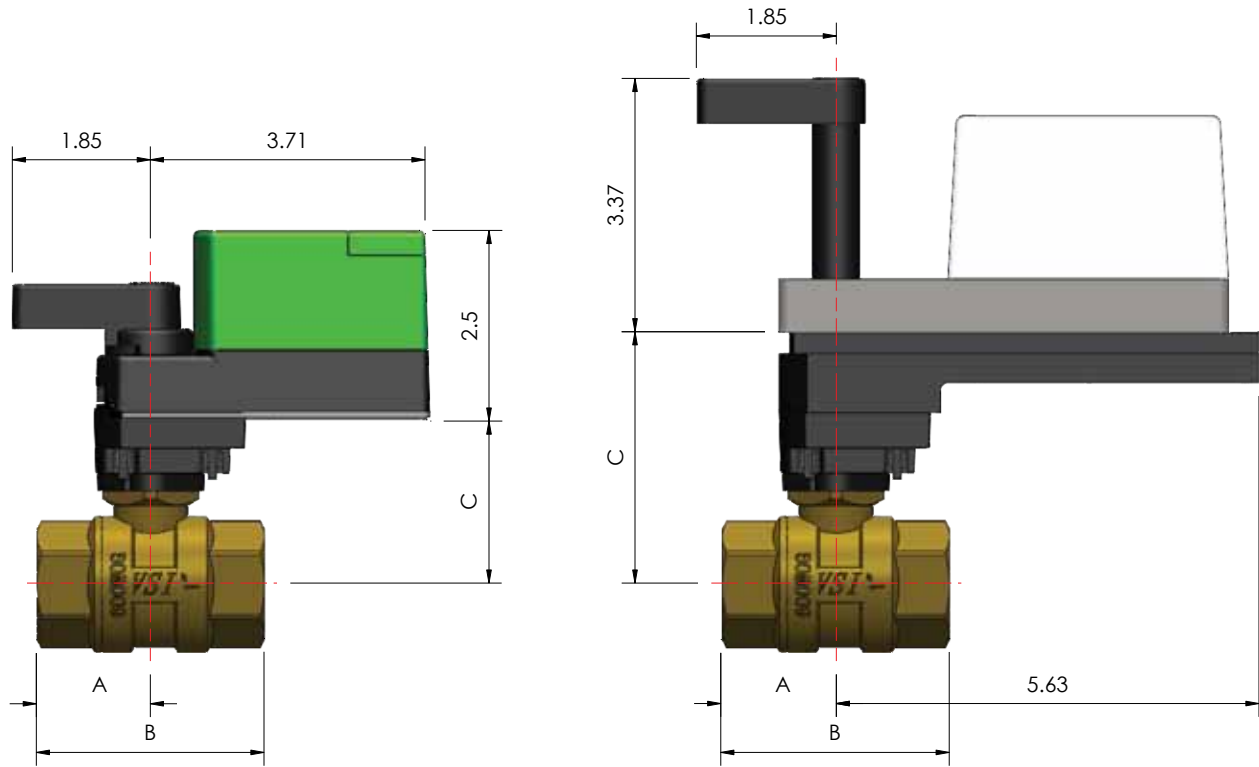


V PORT CONTROL VALVE:

- 300 to 1 turn down ratio for precise control
- Equal percentage flow characteristics for linear output
- Low torque - Will accept most 24V damper actuators
- 1/2" size available in multiple notches for optimum controllability
- Cv range for fan coil units, air handler unit heaters, heating and cooling coils, etc.
- High close off rating (200psi)
- No plastic insert, all metal with one piece ball

Flow Coefficients (Cv) for Series E Ball Valves													Torque at 200psi in/lb
Valve Size	Part Number	Valve Rotation in Percent										Weight Lbs	
		10%	20%	30%	40%	50%	60%	70%	80%	90%	100%		
1/2" - A	BV-050-001	N/A	N/A	0.01	0.07	0.25	0.46	0.70	0.96	1.29	1.67	.55	<10
1/2" - B	BV-050-002	N/A	N/A	0.03	0.19	0.37	0.59	0.88	1.29	1.88	2.33	.55	<10
1/2" - C	BV-050-003	N/A	0.05	0.12	0.31	0.52	0.74	1.02	1.55	2.35	3.61	.55	<10
3/4"	BV-075-001	0.02	0.16	0.44	0.73	1.12	1.79	2.90	4.52	6.63	9.31	.75	20
1"	BV-100-001	0.02	0.16	0.53	0.93	1.42	2.14	3.24	4.96	7.46	10.87	1.1	40
1 1/4"	BV-125-001	0.04	0.31	0.92	1.54	2.41	3.88	6.29	9.92	14.67	20.85	1.8	40
1 1/2"	BV-150-001	0.05	0.39	1.33	2.39	3.82	6.32	10.21	16.47	25.82	36.32	3.1	70
2"	BV-200-001	0.07	0.61	1.97	3.56	5.7	9.34	15.26	24.60	39.27	54.25	5.6	90

Flow Coefficients (Cv) for Series E Ball Valves - Full Port						
Valve Size	1/2"	3/4"	1"	1 1/4"	1 1/2"	2"
90° Open	10	24	44	94	128	185



Dimensions in Inches

Valve Size	Direct Mount / KMC Actuator			Universal Bracket		
	A	B	C	A	B	C
1/2"	1.18	2.36	1.87	1.18	2.36	3.03
3/4"	1.26	2.52	1.99	1.26	2.52	3.15
1"	1.52	3.03	2.19	1.52	3.03	3.35
1 1/4"	1.71	3.43	2.4	1.71	3.43	3.56
1 1/2"	1.99	3.98	2.66	1.99	3.98	3.82
2"	2.31	4.61	3.01	2.31	4.61	4.17

Top Mount Dimensions in Inches

