

Stainless Steel 2-Piece Electric Ball Valve

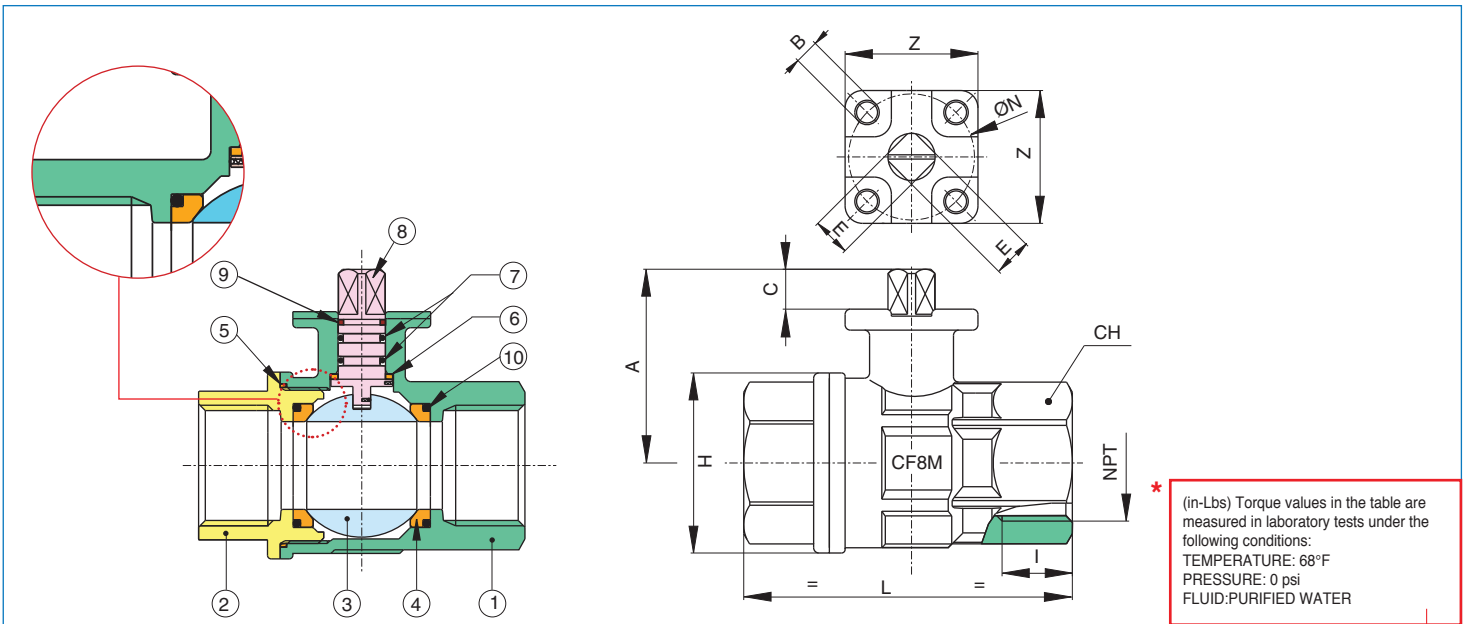


SERIES 8E067

STAINLESS STEEL DIRECT MOUNT BALL VALVE

- 2 pc stainless steel ASTM A351 - CF8M ball valve, with ISO 5211 pad.
- Full port sizes 1/4" to 3".
- Pressure rating 1000 psi - 150 psi steam.
- Temperature up to 366°F.
- Blow out proof stem.
- P.T.F.E. seats with O-ring backing for low operating torque.
- P.T.F.E. seals and double O-ring stem packing.
- 100% electronically tested in the open and closed position at 80 psi.

COMPLIES WITH NACE MR 0175/ISO 15156 AND NACE MR 0103.

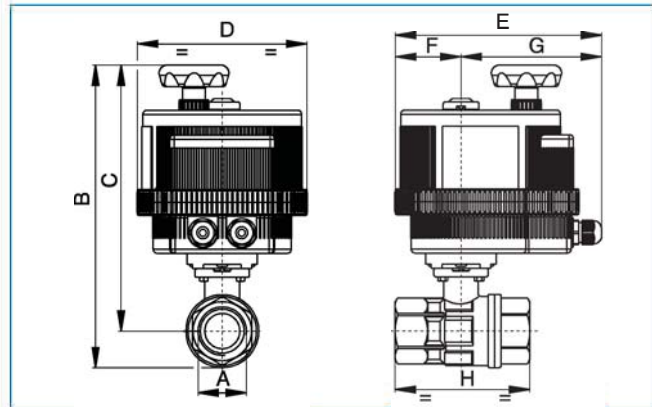


* (in-Lbs) Torque values in the table are measured in laboratory tests under the following conditions:
 TEMPERATURE: 68°F
 PRESSURE: 0 psi
 FLUID: PURIFIED WATER

	PART NAME	MATERIAL	N PCS
1	BODY	CF8M	1
2	END CONNECTION	CF8M	1
3	BALL	AISI316-CF8M	1
4	BALL SEAT	P.T.F.E	2
5	SEAL	P.T.F.E	1
6	STEM SEAL	P.T.F.E	1
7	O-RING	FKM (Viton®)	2
8	STEM	AISI 316	1
9	STEM SEAL	P.T.F.E.	1
10	O-RING	FKM (Viton®)	2

SIZE	I	L	H	CH	A	C	E	ØN	B	Z	CV	psi	Lbs	* in-Lbs
1/4"	0.59	2.56	1.44	1.02	1.78	0.26	0.35	F03/F04 1.42-1.65	0.24	1.65	7.91	1000	0.95	27
3/8"	0.59	2.56	1.44	1.02	1.78	0.26	0.35	F03/F04 1.42-1.65	0.24	1.65	10.22	1000	0.89	27
1/2"	0.59	2.63	1.35	1.06	1.63	0.35	0.35	1.42 (ISO F03)	0.23	1.49	18.90	1000	0.68	53.10
3/4"	0.64	3.07	1.65	1.25	1.71	0.35	0.35	1.42 (ISO F03)	0.23	1.49	34.22	1000	0.91	53.10
1"	0.75	3.54	2.02	1.61	2.10	0.35	0.35	1.42 (ISO F03)	0.23	1.49	49.88	1000	1.35	53.10
1 1/4"	0.84	3.93	2.53	1.96	2.24	0.35	0.35	1.42 (ISO F03)	0.23	1.49	103.24	1000	2.22	53.10
1 1/2"	0.84	4.40	3.03	2.16	2.91	0.43	0.43	1.97 (ISO F05)	0.27	1.96	266.80	1000	3.69	150.46
2"	1.01	5.31	3.81	2.75	3.27	0.43	0.43	1.97 (ISO F05)	0.27	1.96	307.40	1000	6.49	150.46
2 1/2"	1.22	6.32	4.64	3.39	4.94	0.66	0.67	F07/F10 2.76-4.02	0.39 0.47	4.02	322.20	800	16.38	484
3"	1.34	7.01	5.48	4.09	5.34	0.71	0.67	F07/F10 2.76-4.02	0.39 0.47	4.02	584.44	800	22.82	772

SERIES 8E067***



psi	1000	1000	1000	1000	1000	1000
DN - A	1/2"	3/4"	1"	1"1/4	1"1/2	2"
B	7.53	7.76	8.34	8.73	11.40	12.16
C	6.85	6.93	7.32	7.46	9.88	10.25
D	4.84	4.84	4.84	4.84	6.18	6.18
E	6.41	6.41	6.41	6.41	7.48	7.48
F	1.67	1.67	1.67	1.67	2.38	2.38
G	4.74	4.74	4.74	4.74	5.10	5.10
H	2.64	3.07	3.54	3.94	4.41	5.32
ACT.	VB 015	VB 015	VB 015	VB 015	VB 030	VB 030

VOLTAGE SUFFIX		
	VOLTAGE SUFFIX	VOLTAGE
STANDARD	001	12V AC/DC
	002	24V AC/DC
	003	100-240 VAC
	004*	220VAC
FAIL-SAFE	012	24V AC/DC
	013	100-240 VAC
POSITIONER	021	12V AC/DC
	022	24V AC/DC
	023	100-240 VAC

* VB015



Type 4X Indoor Use Only Enclosure.

NEW – DESIGN PROTECTED

GENERAL SPECIFICATIONS

VALBIA electric actuators are designed for the automation of ball and butterfly valves for the industrial, commercial and OEM markets. The VALBIA electric actuators are suitable for the automation of ball and butterfly valves for the industrial and construction sector. The usage of electronic components of last generation, together with precise mechanic, fruit of careful research and development, enables high performance and long-term reliability of the product.

The range has been manufactured with following characteristics:

- The housing of the actuators provides a V0 self-extinguish class techno-polymer material.
- The kinematics is made by steel and techno-polymer gear wheels, sustained by hardened steel pinions, mounted on self-lubricating bushes, and inserted in a strong structure of die-cast aluminium (excluding mod. VB015).
- The connection part of the actuators with the valves, is made by a die-casted and painted aluminium plate cataphoresis, with a dual drilling interface as per the ISO5211-DIN 3337 standard.
- The electronic circuit adjusts automatically the motor speed depending on the mechanical charge variations in order to drive the cycle always in the same time.
- The whole range of actuators is provided with an electronic safety system for the torque control (torque limiter).
- The whole range of actuators is standard provided of heater actives with the powered actuator.
- The whole range of actuators (except for mod.VB015) are modulable: standard setting is (4-20 mA or 0-10V) reverse option (20-4 mA or 10-0V) is programmable.
- All electric actuators (except for mod.VB015) can be equipped with linear potentiometer (rated 5K Ω 1w).
- All electric actuators (except for mod.VB015 and for 12V power supply), can be equipped with battery backup for emergency control.

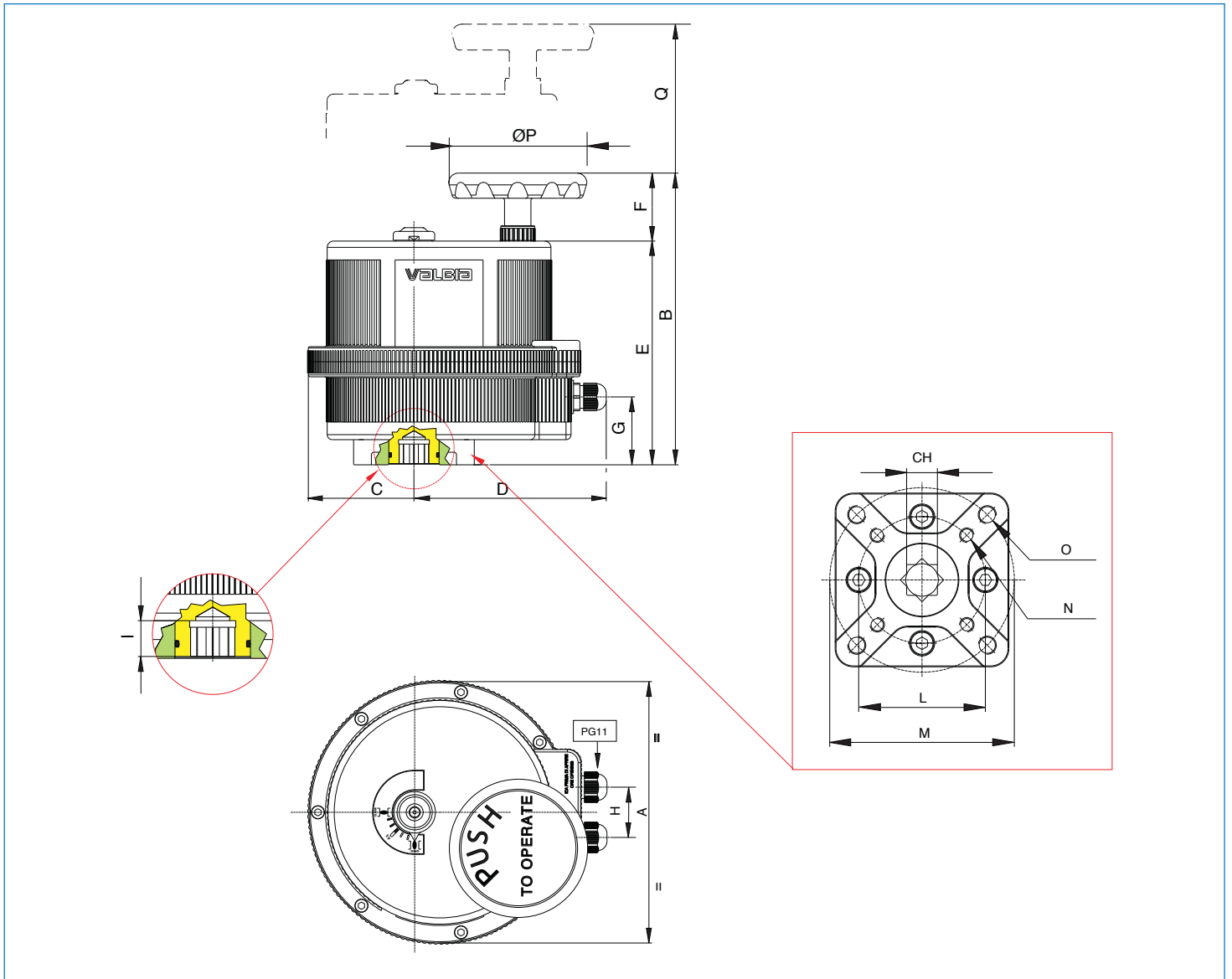
MODEL		VB015	VB030	VB060	VB110	VB190	VB270	VB350
MAX WORKING TORQUE (IN-LBS)		133	266	530	975	1680	2390	3100
VOLTAGE (V)	LOW VOLTAGE	12V AC/DC	12V AC/DC	12V AC/DC	12V AC/DC	12V AC/DC	12V AC/DC	12V AC/DC
		24V AC/DC	24V AC/DC	24V AC/DC	24V AC/DC	24V AC/DC	24V AC/DC	24V AC/DC
	MULTIVOLTAGE	100-240V AC	100-240V AC	100-240V AC	100-240V AC	100-240V AC	100-240V AC	100-240V AC
WORKING TIME (sec)		10	8	9	27	27	50	50
TORQUE LIMITER		STD	STD	STD	STD	STD	STD	STD
DUTY RATING		12VAC/24VAC 50% 12VDC/24VDC 75% 100-240VAC	12VAC/DC 50% 24VAC/DC 75% 100-240VAC	12VAC/DC 50% 24VAC/DC 75% 100-240VAC	12VAC/DC 50% 24VAC/DC 75% 100-240VAC	12VAC/DC 50% 24VAC/DC 75% 100-240VAC	12VAC/DC 50% 24VAC/DC 75% 100-240VAC	12VAC/DC 50% 24VAC/DC 75% 100-240VAC
PROTECTION		IP65	IP67	IP67	IP67	IP67	IP67	IP67
ROTATION		90°	90°	90°	90°	90°	90°	90°
UPON REQUEST		180°	180° or 270°	180° or 270°	180° or 270°	180° or 270°	180° or 270°	180° or 270°
MANUAL INTERVENTION		STD	STD	STD	STD	STD	STD	STD
POSITION INDICATOR		STD	STD	STD	STD	STD	STD	STD
WORKING TEMPERATURE		-4°F + 131°F	-4°F + 131°F	-4°F + 131°F	-4°F + 131°F	-4°F + 131°F	-4°F + 131°F	-4°F + 131°F
HEATER		N°2 STD	N°2 STD	N°2 STD	N°2 STD	N°2 STD	N°2 STD	N°2 STD
ADDITIONAL FREE LIMIT SWITCHES		TYPE SPDT	TYPE SPDT	TYPE SPDT	TYPE SPDT	TYPE SPDT	TYPE SPDT	TYPE SPDT
DRILLING ISO 5211		* F03 - F05	* F03 - F05	F05 - F07	F07 - F10	F07 - F10	F07 - F10	F07 - F10
SQUARE (in)		0.43	0.43	0.55	0.67	0.67	0.87	0.87
SQUARE UPON REQUEST		0.35	0.35-0.55	0.43-0.67	0.55-0.87	0.55-0.87	0.67	0.67
SAFETY BLOCK		NOT AVAILABLE	UPON REQUEST	UPON REQUEST	UPON REQUEST	UPON REQUEST	UPON REQUEST	UPON REQUEST
POSITIONER STD (4~20mA or 0~10 VDC) REVERSE (20~4mA or 10~0 VDC)		NOT AVAILABLE	UPON REQUEST	UPON REQUEST	UPON REQUEST	UPON REQUEST	UPON REQUEST	UPON REQUEST
LINEAR POTENTIOMETER (5K Ω 1W)		NOT AVAILABLE	UPON REQUEST	UPON REQUEST	UPON REQUEST	UPON REQUEST	UPON REQUEST	UPON REQUEST
ELECTRICAL CONNECTIONS		PG11	PG11	PG11	PG11	PG11	PG11	PG11
WEIGHT (LBS)		3.09	5.07	7.28	10.80	10.80	13.23	13.23

* F04 or F07 upon request.

ELECTRIC ACTUATOR CONSUME DATA

MODEL		VB015	VB030	VB060	VB110	VB190	VB270	VB350	
VERSION H	NOMINAL VOLTAGE	100-240V AC							
	ABSORBED CURRENT	0,3-0,19 A	0,4-0,2 A	0,6-0,3 A	0,4-0,2 A	0,6-0,3 A	0,6-0,3 A	0,75-0,4 A	
	ABSORBED POWER	30-46 VA	40-48 VA	60-72 VA	40-48 VA	60-72 VA	60-72 VA	75-96 VA	
VERSION L	NOMINAL VOLTAGE	12V AC/DC	24V AC/DC	12V AC/DC	24V AC/DC	12V AC/DC	24V AC/DC	12V AC/DC	24V AC/DC
	ABSORBED CURRENT	2,2-1,8 A	1-0,7 A	2,2-1,8 A	1-0,7 A	3,8-2,85 A	1,8-1,2 A	2,2-1,8 A	1-0,7 A
	ABSORBED POWER	15 VA	26,5-22 VA	24-17 VA	46-34 VA	43-29 VA	26,5-22 VA	24-17 VA	46-34 VA
FREQUENCY		50/60 HZ							

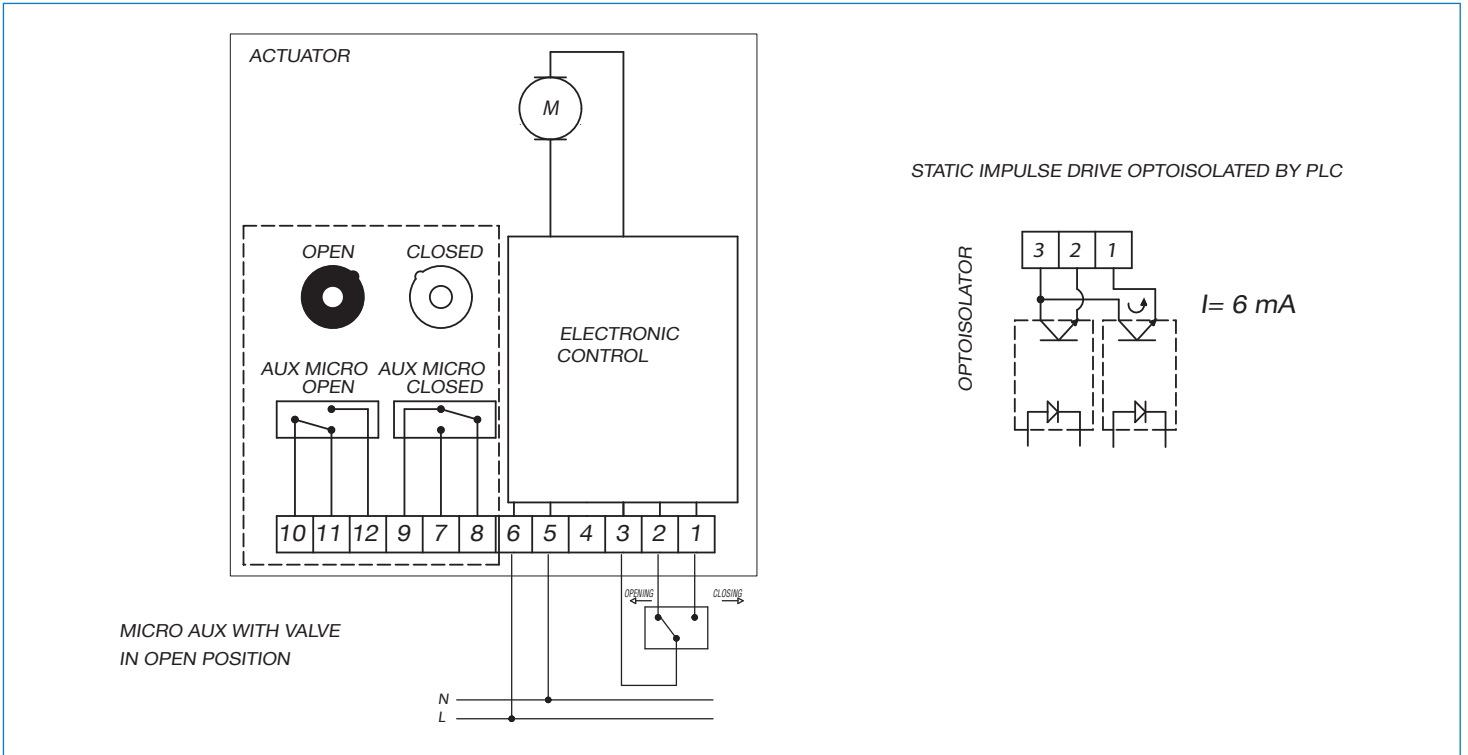




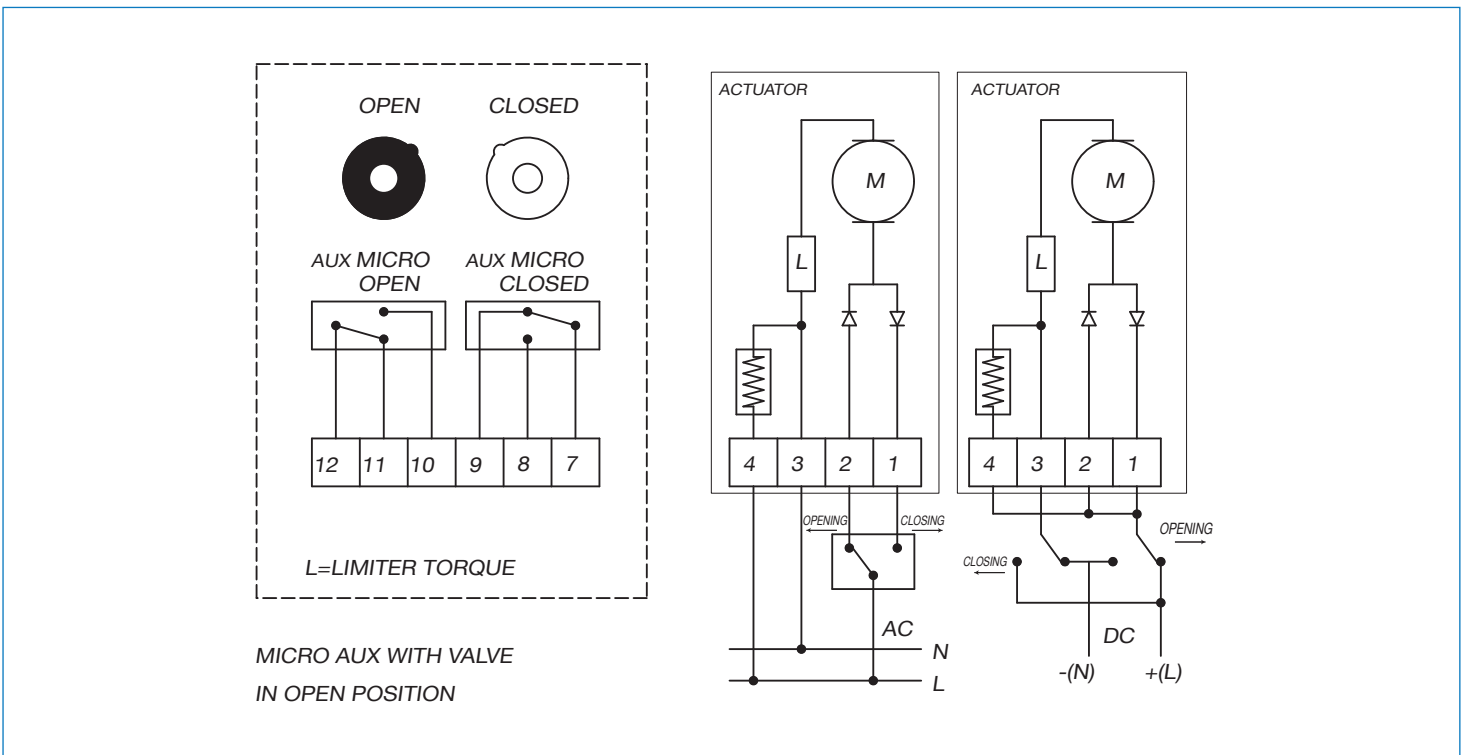
MOD.	DRILLING ISO 5211	CH	A	B	C	D	E	F	G	H	I	L	M	N	O	ØP	Q
VB015	F03 - F05 *	0.43	4.84	5.57	1.67	4.74	4.96	0.61	4.06	1.26	0.55	1.42	1.97	10-24 UNC 2BX0.47	1/4-20 UNC 2BX0.51	2.68	2.56
VB030	F03 - F05 *	0.43	6.18	7.40	2.38	5.10	5.75	1.65	1.30	1.42	0.47	1.42	1.97	10-24 UNC 2BX0.47	1/4-20 UNC 2BX0.51	2.56	3.94
VB060	F05 - F07	0.55	7.28	8.46	2.66	5.77	6.81	1.65	2.01	1.42	0.63	1.97	2.76	1/4-20 UNC 2BX0.59	5/16-18 UNC 2BX0.63	2.56	4.33
VB110	F07 - F10	0.67	8.31	9.14	3.31	6.02	7.01	2.13	2.13	1.58	0.75	2.76	4.02	5/16-18 UNC 2BX0.75	3/8-16 UNC 2BX0.75	4.33	4.53
VB190	F07 - F10	0.67	8.31	9.14	3.31	6.02	7.01	2.13	2.13	1.58	0.75	2.76	4.02	5/16-18 UNC 2BX0.75	3/8-16 UNC 2BX0.75	4.33	4.53
VB270	F07 - F10	0.87	8.74	9.19	3.03	6.69	7.17	2.03	2.13	1.58	0.95	2.76	4.02	5/16-18 UNC 2BX0.75	3/8-16 UNC 2BX0.75	4.33	4.53
VB350	F07 - F10	0.87	8.74	9.19	3.03	6.69	7.17	2.03	2.13	1.58	0.95	2.76	4.02	5/16-18 UNC 2BX0.79	3/8-16 UNC 2BX0.75	4.33	4.53

* Upon request F04 or F07.

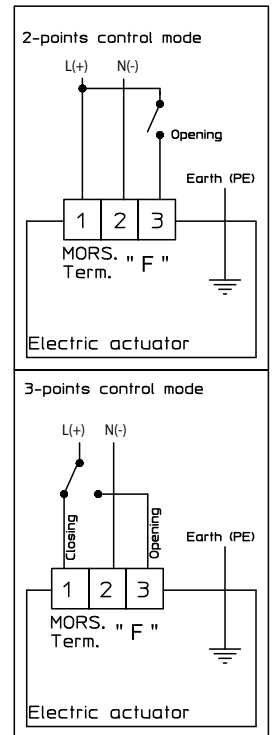
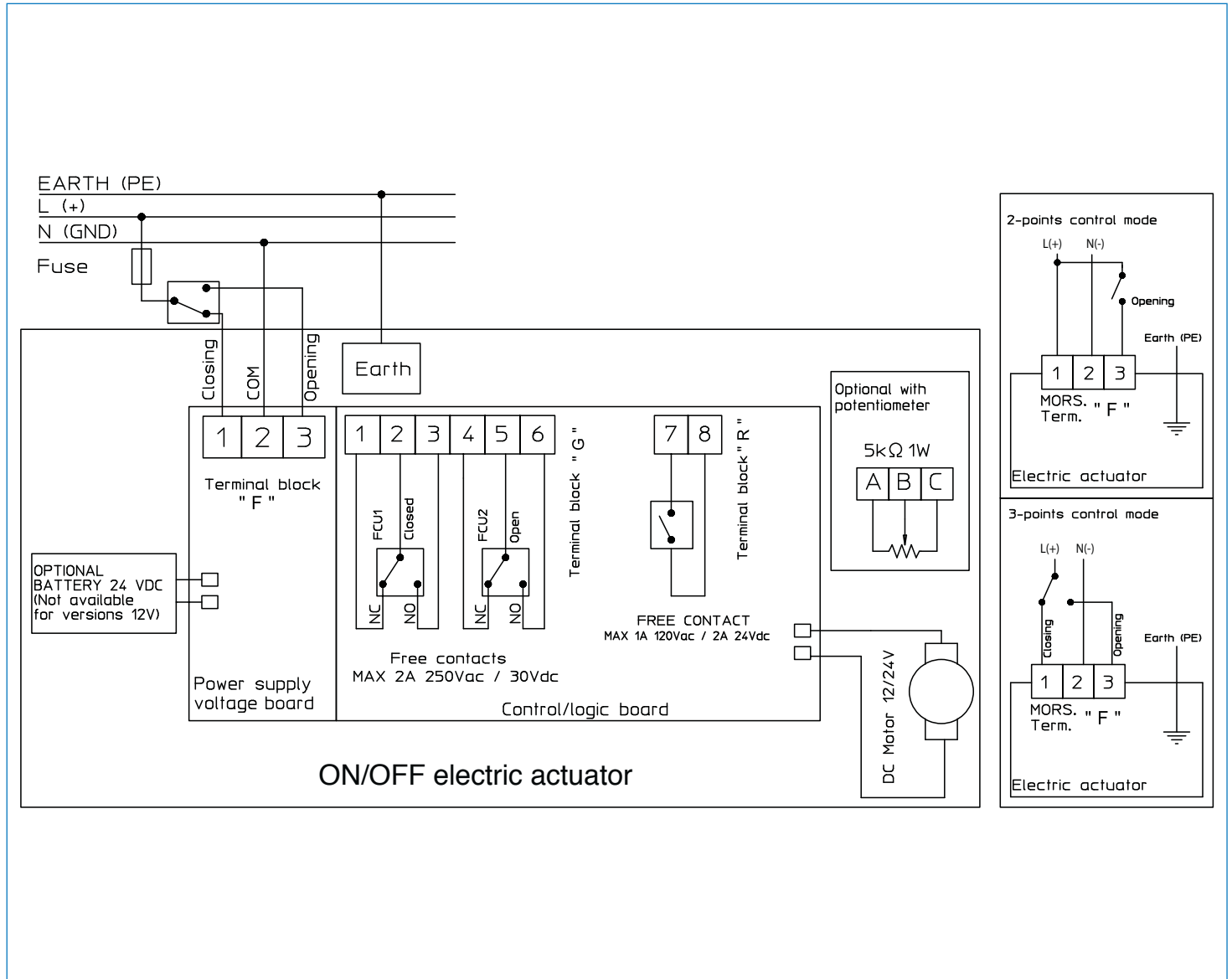
ELECTRIC WIRING VB015 100–240V 50/60Hz



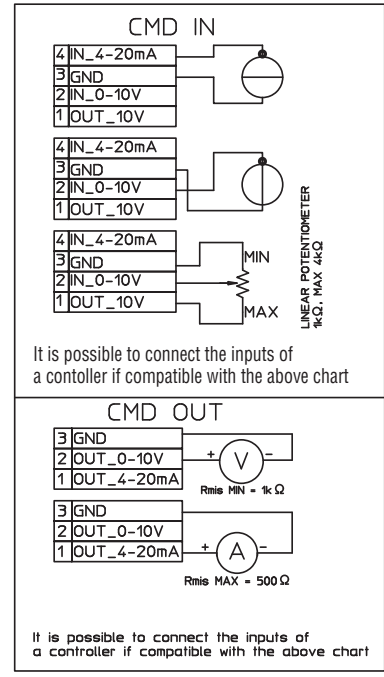
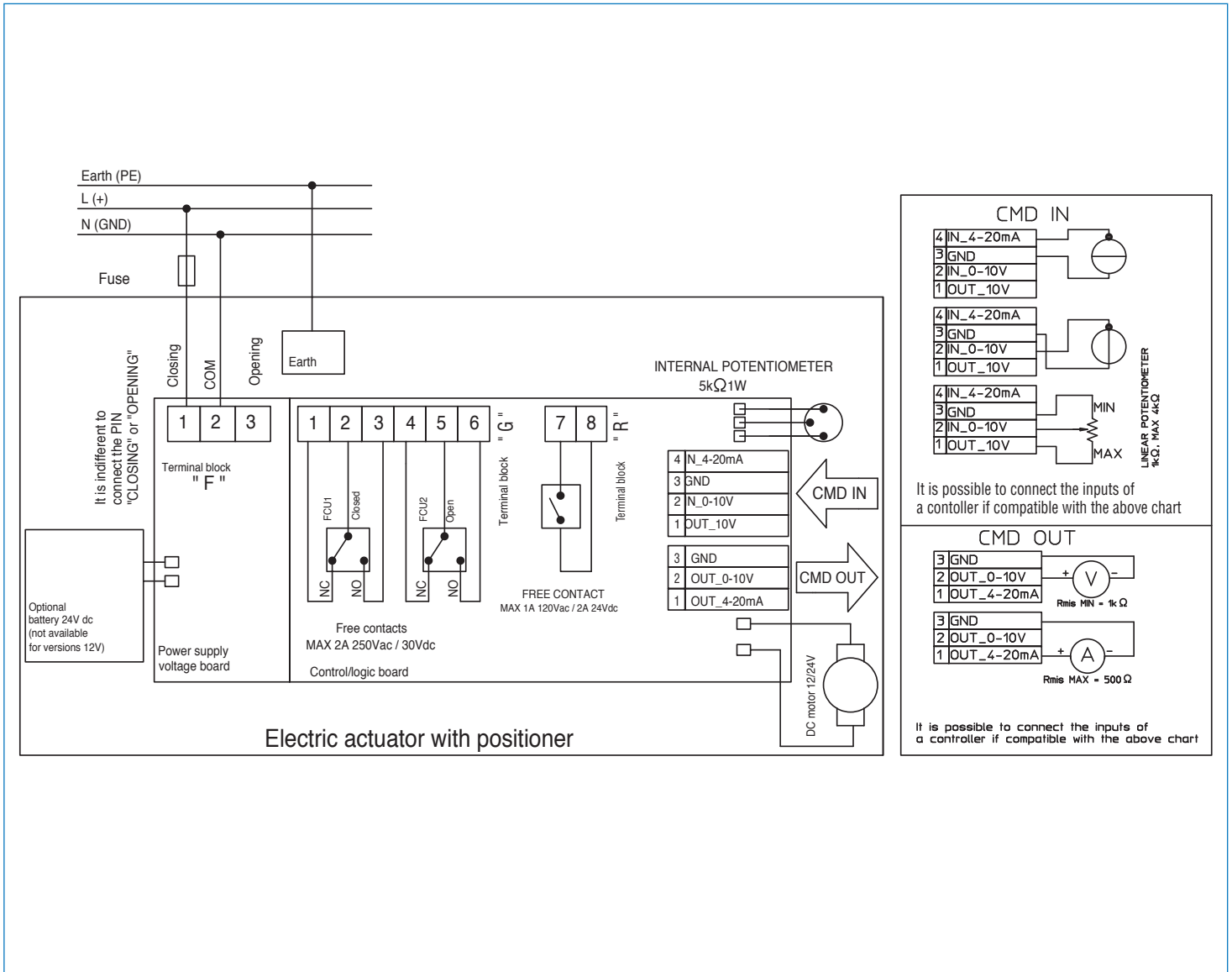
ELECTRIC WIRING VB015 12V–24V AC/DC 50/60 Hz



ELECTRIC WIRING FROM VB030 TO VB350 50/60 Hz, 12V AC/DC, 24V AC/DC, 100-240V AC



ELECTRIC WIRING WITH POSITIONER FROM VB030 TO VB350 50/60 Hz 12V AC/DC, 24V AC/DC, 100-240V AC



S&K Automation, LLC 3530 Olive Ln N, Plymouth, MN 55447
Phone (763) 476-1013 Email: sales@sk-automation.com Web: www.sk-automation.com