

- 8P0139 (T)** - Direct Mount, 3-way Stainless Steel, "T" Std. Port Ball Valve with DA Pneumatic Actuator
- 8P0141 (T)** - Direct Mount, 3-way Stainless Steel, "T" Std. Port Ball Valve with SR Pneumatic Actuator
- 8P0143 (T)** - Direct Mount, 3-way Stainless Steel, "T" Full Port Ball Valve with DA Pneumatic Actuator
- 8P0145 (T)** - Direct Mount, 3-way Stainless Steel, "T" Full Port Ball Valve with SR Pneumatic Actuator

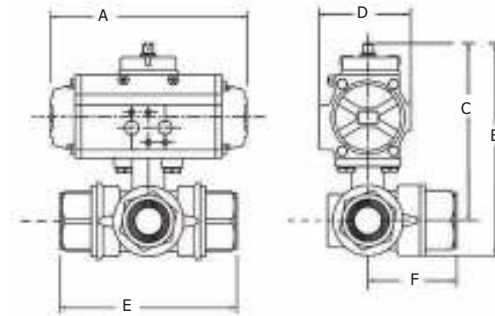


955N Std. "T" Port Ball Valve with  
DOUBLE ACTING Actuator  
956N Full "T" Port Ball Valve with  
DOUBLE ACTING Actuator

**8P0139 (T)**  
**8P0143 (T)**

SIZE	1/4"	3/8"	1/2"	3/4"	1"	1-1/4"	1-1/2"	2"
A	5.49	5.49	5.49	6.38	6.38	8.15	9.35	10.6
B	5.75	5.75	6.10	7.10	7.50	8.95	10.4	11.5
C	4.72	4.72	5.14	6.50	6.90	7.50	8.60	9.60
D	2.80	2.80	2.80	3.17	3.17	3.72	4.17	4.84
E	2.83	2.83	3.26	3.89	4.40	4.92	5.86	6.85
F	1.42	1.42	1.64	2.05	2.30	2.38	3.10	3.42
ACT.	52	52	52	63	63	75	85	100

DIMENSIONS (in)



955N Std. "T" Port Ball Valve with  
SPRING RETURN Actuator  
956N Full "T" Port Ball Valve with  
SPRING RETURN Actuator

**8P0141 (T)**  
**8P0145 (T)**

SIZE	1/4"	3/8"	1/2"	3/4"	1"	1-1/4"	1-1/2"	2"
A	6.38	6.38	6.38	8.15	8.15	10.6	10.6	14.4
B	5.98	5.98	6.25	7.75	8.00	9.85	10.7	12.4
C	5.38	5.38	6.05	6.65	7.00	8.50	9.25	10.9
D	3.17	3.17	3.17	3.72	3.72	4.84	4.84	5.83
E	2.83	2.83	3.26	3.89	4.40	4.92	5.86	6.85
F	1.42	1.42	1.64	2.05	2.30	2.38	3.10	3.42
ACT.	63	63	63	75	75	100	100	125

DIMENSIONS (in)