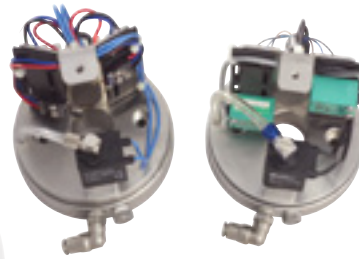


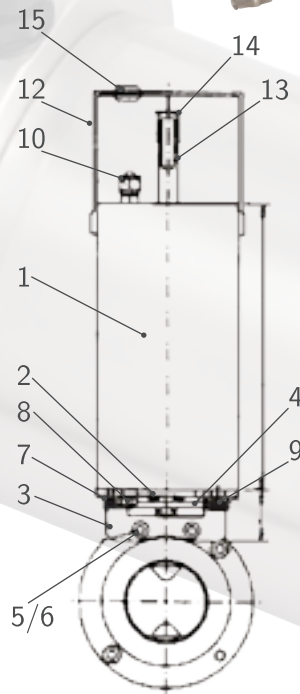
304SS CANISTER ACTUATOR K1111 SERIES

Features & Specifications

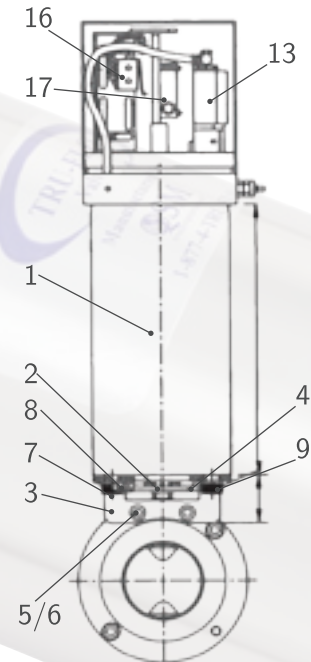
- » Constructed of 304 stainless steel
- » Available as Air/Spring or Air/Air operated
- » Solenoid and proximity switches are available
- » K1111-1 (non-solenoid) equipped with friction fit plastic top
- » K1111-2 has secured NEMA 4 stainless cover with solenoid and mechanical limit switch
- » K1111-3 NAMUR solenoid and magnetic proximity switch
- » Designed specifically to actuate up to 3" butterfly valves
- » Protected NEMA 4 dome ideal for locations requiring washdown without damaging sensitive electronics
- » Suitable for pharmaceutical and food processing application
- » Actuator available sizes from ½" to 4"



Item	Part (Qty)	Material
1	Body	304 SS
2	Coupling Axle Piece	304 SS
3	Mounting Bracket	304 SS
4	Plastic Positioning Ring	304 SS
5	M6x30 Stainless Steel Screw (2)	304 SS
6	M6 Nut (2)	304 SS
7	M8x12 Stainless Steel Screw (2)	304 SS
8	Air Outlet Filter	Teflon®
9	Piston O-ring	Teflon®
10	Air Connection	Copper
11	Connection	304 SS
12	Cover	304 SS
13	Inox Piston Stem	304 SS
14	Stem Protection Plug	304 SS
15	Air Flow Tube Guide	304 SS
16	Micro Switch	304 SS
17	Proximity Detector	304 SS
18	Solenoid	304 SS



K1111-1



K1111-2
Solenoid & Mechanical
Limit Switch

K1111-3
Solenoid & Magnetic Proximity Switch