

8P0195 (NPT) - 8P0196 (NPT)
8P0199 (S/W) - 8P0200 (S/W)
8P0203 (B/W) - 8P0204 (B/W)



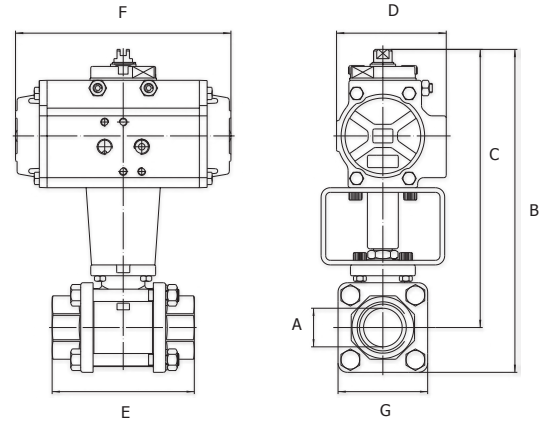
VALVE WITH DOUBLE ACTING ACTUATOR

Dimensions (in)

Size	1/4"	3/8"	1/2"	3/4"	1"	1-1/4"	1-1/2"	2"	2-1/2"	3"	4"
A	.250	.375	.500	.750	1.00	1.25	1.50	2.00	2.50	3.00	4.00
B	5.03	5.03	5.43	7.87	8.22	8.85	9.99	11.8	13.0	13.9	16.4
C	4.37	4.37	4.68	6.92	7.08	7.28	8.50	9.40	10.3	10.3	12.7
D	1.77	1.77	1.77	2.79	2.79	2.79	2.79	3.74	4.17	4.17	4.84
E	2.24	2.24	2.55	2.99	3.62	4.21	3.18	5.35	6.06	7.08	8.54
F	4.33	4.33	4.33	5.51	5.51	5.51	6.37	8.42	9.37	9.37	10.7
G	1.29	1.29	1.49	1.85	2.28	2.63	2.99	3.54	5.27	5.27	7.48
ACT.	32	32	32	52	52	52	63	75	85	85	100

8P0195 NPT
8P0199 S/W
8P0203 B/W

Stainless Steel 2-way 3-piece Full Port STEAM VALVE with 3 Types of End Connections and Thermal Relief Hole in Ball Stem Slot for Expansion



VALVE WITH SPRING RETURN ACTUATOR

Dimensions (in)

Size	1/4"	3/8"	1/2"	3/4"	1"	1-1/4"	1-1/2"	2"	2-1/2"	3"	4"
A	.250	.375	.500	.750	1.00	1.25	1.50	2.00	2.50	3.00	4.00
B	5.98	5.98	6.41	8.30	8.66	9.01	11.1	12.1	15.5	16.9	18.1
C	5.35	5.35	5.66	7.36	7.51	7.71	9.60	10.3	12.8	13.7	14.4
D	2.79	2.79	2.79	3.18	3.18	3.18	4.17	4.84	5.39	5.82	5.82
E	2.24	2.24	2.55	2.99	3.62	4.21	4.56	5.35	6.06	7.08	8.54
F	5.51	5.51	5.51	6.37	6.37	6.37	9.37	10.7	12.9	14.4	14.4
G	1.29	1.29	1.49	1.85	2.28	2.63	2.99	3.54	5.27	6.33	7.48
ACT.	52	52	52	63	63	63	85	100	115	125	125

8P0196 NPT
8P0200 S/W
8P0204 B/W

8P0197 (NPT) - 8P0198 (NPT)
8P0201 (S/W) - 8P0202 (S/W)
8P0205 (B/W) - 8P0206 (B/W)



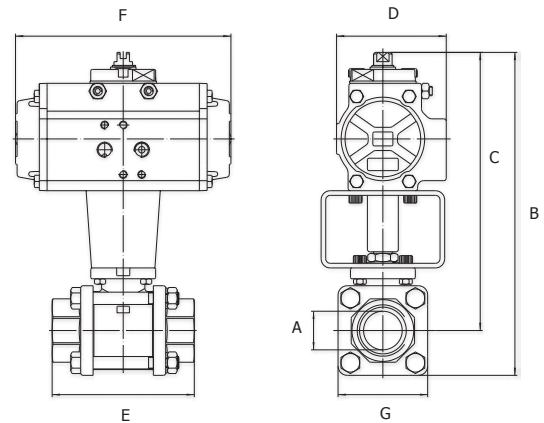
VALVE WITH DOUBLE ACTING ACTUATOR

Dimensions (in)

Size	1/4"	3/8"	1/2"	3/4"	1"	1-1/4"	1-1/2"	2"	2-1/2"	3"	4"
A	.250	.375	.500	.750	1.00	1.25	1.50	2.00	2.50	3.00	4.00
B	5.82	5.82	5.82	7.04	7.55	7.99	9.17	11.1	13.0	13.9	16.4
C	5.07	5.07	5.07	6.14	6.41	6.65	7.67	9.40	10.3	10.8	12.7
D	1.77	1.77	1.77	2.79	2.79	2.79	3.18	3.74	4.17	4.17	4.84
E	2.55	2.55	2.55	2.99	3.62	4.21	4.56	5.35	6.06	7.08	8.54
F	4.33	4.33	4.33	5.51	5.51	5.51	6.37	8.14	9.37	9.37	10.7
G	1.49	1.49	1.49	1.85	2.28	2.63	2.99	3.54	5.27	6.33	7.48
ACT.	32	32	32	52	52	52	63	75	85	85	100

8P0197 NPT
8P0201 S/W
8P0205 B/W

Carbon Steel 2-way 3-piece Full Port STEAM VALVE with 3 Types of End Connections and Thermal Relief Hole in Ball Stem Slot for Expansion



VALVE WITH SPRING RETURN ACTUATOR

Dimensions (in)

Size	1/4"	3/8"	1/2"	3/4"	1"	1-1/4"	1-1/2"	2"	2-1/2"	3"	4"
A	.250	.375	.500	.750	1.00	1.25	1.50	2.00	2.50	3.00	4.00
B	6.77	6.77	6.77	7.48	7.99	8.42	10.2	12.1	15.5	16.9	18.4
C	6.02	6.02	6.02	6.57	6.85	7.08	8.77	10.3	12.8	13.7	14.4
D	2.79	2.79	2.79	3.18	3.18	3.18	4.17	4.84	5.39	5.82	5.82
E	2.55	2.55	2.55	2.99	3.62	4.21	4.56	5.35	6.06	7.08	8.54
F	5.51	5.51	5.51	6.37	6.37	6.37	9.37	10.7	12.9	14.4	14.4
G	1.49	1.49	1.49	1.85	2.28	2.63	2.99	3.54	5.27	6.33	7.48
ACT.	52	52	52	63	63	63	85	100	115	125	125

8P0198 NPT
8P0202 S/W
8P0206 B/W