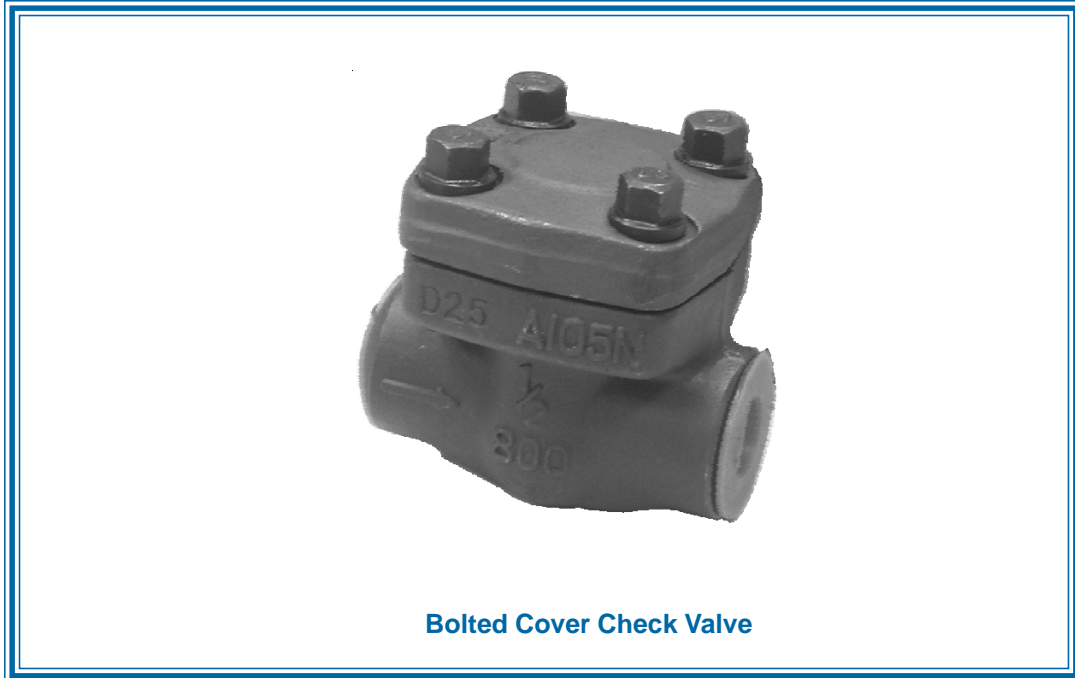


Forged Steel Check Valves Class 800

F/V Forged Steel Check Valves are available with bolted covers having spiral wound gaskets made of Stainless Steel/graphite. The check valves are available in Piston Check or Swing Check valve designs.



Check Valve Design and Specifications:

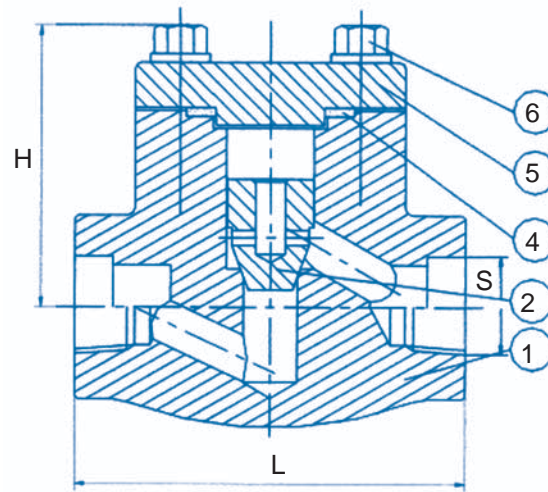
F/V Forged Steel Check Valves conform to MSS-SP-118 and ASME B 16.34. Each valve is tested in accordance with API 598, and marked per MSS SP 25.

Construction:

- Available as Piston or Swing Check Valves
- Bolted Cover
- Conventional or full port
- Socket Weld Ends to ASME B 16.11
- Threaded Ends to ANSI/ASME B.1.20.1
- Lift and Swing Check Valves for horizontal service only
- Swing Check Valves offer higher Cv values
- Guided Disc in valve body provides accurate sealing alignment
- Welded Bonnet Check Valves are optional

Engineering Data

Forged Steel Check Valves – Class 800



| Size | | S (Socket) | | L | H | Wt. (lbs) |
|---------|--------|------------|------|------|------|-----------|
| Regular | Full | Regular | Full | | | |
| 1/4" | — | 0.55 | — | 3.11 | 2.40 | 3.3 |
| 3/8" | 1/4" | 0.69 | 0.55 | 3.11 | 2.40 | 3.3 |
| 1/2" | 3/8" | 0.86 | 0.69 | 3.11 | 2.40 | 3.3 |
| 3/4" | 1/2" | 1.07 | 0.86 | 3.62 | 2.40 | 4.0 |
| 1" | 3/4" | 1.33 | 1.07 | 4.37 | 3.07 | 5.1 |
| 1-1/4" | 1" | 1.68 | 1.33 | 4.72 | 3.31 | 8.6 |
| 1-1/2" | 1-1/4" | 1.92 | 1.68 | 5.98 | 4.06 | 12.4 |
| 2" | 1-1/2" | 2.41 | 1.92 | 6.77 | 4.65 | 19.6 |
| — | 2" | — | 2.41 | 7.87 | 5.20 | 27.6 |

| No. | Parts Name | Materials | | |
|--|------------|------------------------|--------------|---------------|
| 1 | Body | ASTM A105 | A182 F304 | A182 F316 |
| 2 | Disc | F6 (Stellite optional) | A182 F304 | A182 F316 |
| 4 | Gasket | Graphite +304 | | Graphite +316 |
| 5 | Cover | ASTM A105 | A182 F304 | A182 F316 |
| 6 | Cover Bolt | ASTM A193 B7 | ASTM A193 B8 | |
| Other materials are available upon request | | | | |

We reserve the right to make revisions to literature without notice.