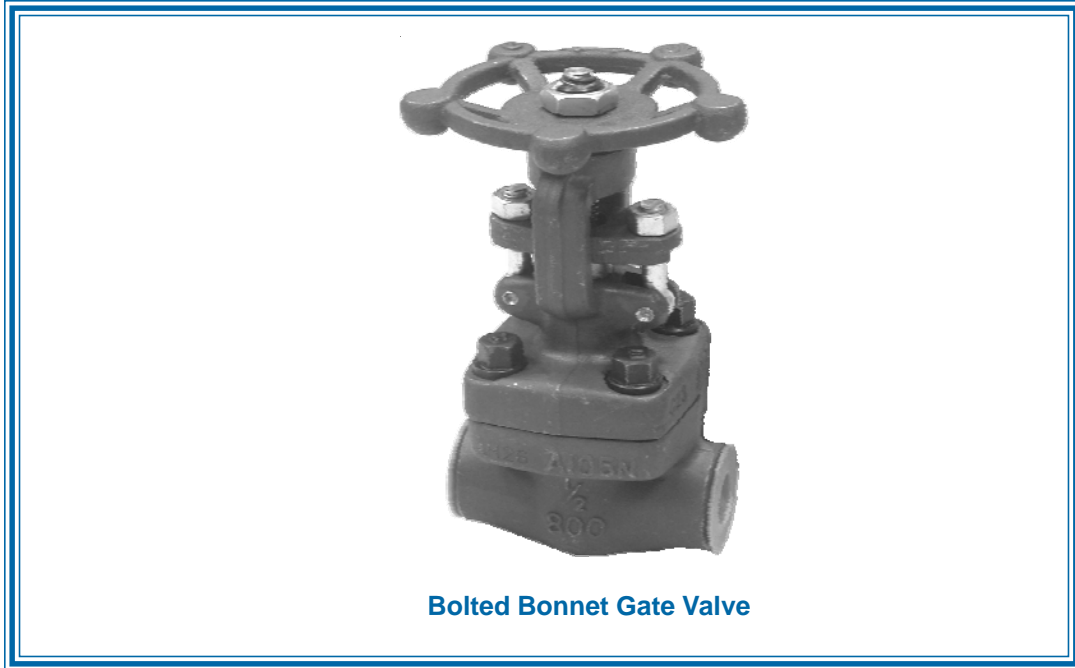


Forged Steel Gate Valves Class 800

F/V Forged Steel Gate Valves are available in bolted or welded bonnet designs with bolted bonnet valves having spiral wound gaskets made of Stainless Steel/Graphite.



Gate Valve Design and Specifications:

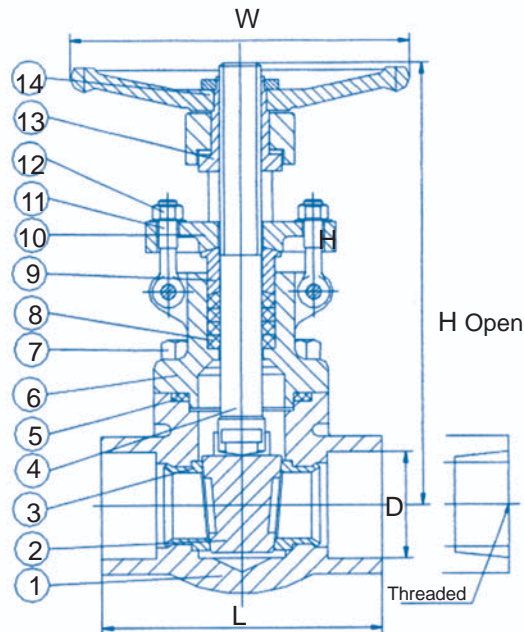
F/V Forged Steel Gate Valves conform to API 602, BS5352 and ASME B 16.34. Each valve is inspected and tested in accordance with API 598, and marked per MSS SP25.

Construction:

- Stem seal consists of flexible graphite packing with anti-extrusion rings for optimum sealing
- Two piece self aligning packing gland
- Impactor handwheels or chain wheels are available as an option
- Conventional port or full port
- Socket Weld Ends to ASME B16.11
- Threaded Ends to ANSI/ASME B.1.20.1
- Handwheel is rugged with knobs to provide positive grip
- Full range of actuators and accessories to meet automation requirements
- Available in carbon, stainless steel and other materials

Engineering Data

Forged Steel Gate Valves – Class 800



Size		Port Dimension		D (Socket)		L	W	Wt. (lbs)	
Regular	Full	Reduce	Full	Regular	Full			Reduce	Full
1/4"	—	0.25	—	0.55	—	3.11	3.94	—	4.9
3/8"	1/4"	0.25	0.25	0.69	0.55	3.11	3.94	4.9	4.9
1/2"	3/8"	0.38	0.38	0.86	0.69	3.11	3.94	4.9	4.9
3/4"	1/2"	0.50	0.50	1.07	0.86	3.62	3.94	4.9	4.9
1"	3/4"	0.75	0.75	1.33	1.07	4.37	4.92	9.5	10.4
1-1/4"	1"	1.00	1.00	1.68	1.33	4.72	6.30	13.0	13.0
1-1/2"	1-1/4"	1.25	1.25	1.92	1.68	4.72	6.30	15.	15.2
2"	1-1/2"	—	1.50	2.41	1.92	5.51	7.08	24.0	24.00
—	2"	—	2.0	—	2.41	7.00	7.87	—	43.00

No.	Parts Name	Materials		
1	Body	ASTM A105	A182 F304	A182 F316
2	Wedge	F6	A182 F304	A182 F316
3	Seat Ring	13CR (Stellite optional)	A182 F304	A182 F316
4	Stem	F6	A182 F304	A182 F316
5	Gasket	Graphite +304		Graphite +316
6	Bonnett	ASTM A105	A182 F304	A182 F316
7	Bonnet Bolt	ASTM A193 B7	ASTM A193 B7	
8	Stem Packing	Reinforced Graphite		
9	Gland	ASTM A276 410	A182 F304	A182 F316
10	Gland Flange	ASTM A216 WCB	A182 F304	A182 F316
11	Gland Eyebolt	ASTM A193 B7	ASTM A193 B8	
12	Gland Nut	ASTM A194 2H	ASTM A194 B8	
13	Stem Nut	ASTM A276 410	ZcuA110Fe3	
14	Handwheel	ASTM A197		

Other materials are available upon request

We reserve the right to make revisions to literature without notice.