

# DM2500 Series

## Flanged Ball Valves

### Features & Benefits

- Available in stainless steel or carbon steel
- Body and end are investment case
- Self-adjusting stem packing
- Blow-out proof stem design
- 100% air tested under water at 100 psi
- Working pressure ANSI 150
- Temperature range: -40°F to +450°F
- ISO 5211 mounting pad
- End cap type: flange end (ANSI 150)
- Flange dimension: face-to-face ANSI B16.10; flange connection ANSI B16.50
- Silicone free
- Oxygen cleaned option



Size	Breakaway Torque (in-lb)	Cv	Weight Lbs
1/2"	50	32	9
3/4"	75	54	10
1"	100	105	12
1-1/2"	185	275	18
2"	300	460	25
2-1/2"	450	780	36
3"	750	1330	50
4"	1100	2420	69
6"	3500	5400	189

### Ordering Schematic



Series  
DM25



Material  
23 Carbon Steel  
33 Stainless Steel  
44 Alloy 20  
77 Hastalloy  
99 Duplex



Port  
F Full Port  
R Red. Port



Packing  
C Carbon/Teflon  
G Graphite  
T Teflon



Seat  
C Carbon  
T Teflon  
TM Super Teflon  
TC Carbon-Super Teflon  
M Metal Seated



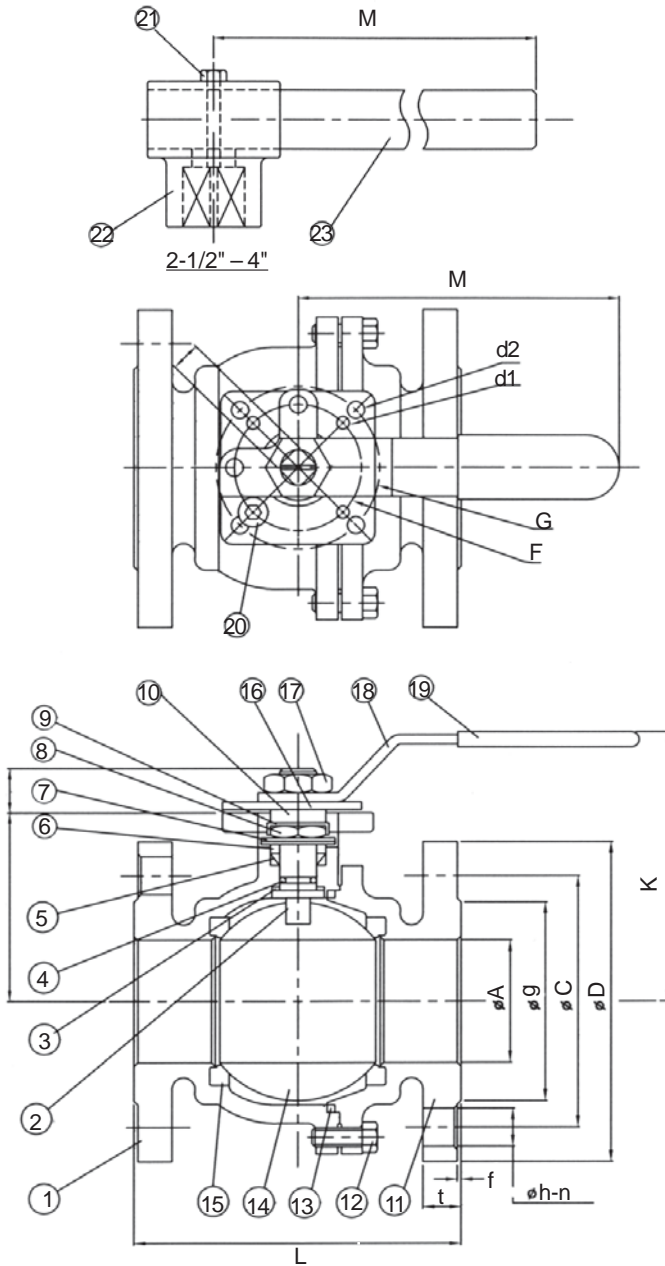
End Connections  
F1 Flanged 150  
F3 Flanged 300

**J-Flow**

J-Flow  
1776 Mentor Avenue • Norwood, OH 45212  
Phone 513-731-2900 • Fax 513-731-6939  
www.jflowcontrols.com

# Engineering

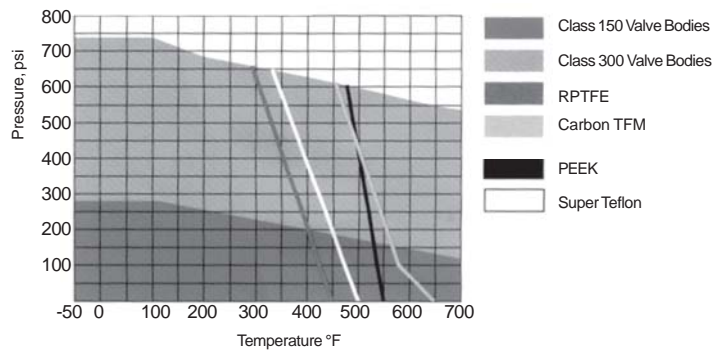
## Dimensions (1/2" - 4")



## Materials of Construction

No.	Name of Parts	Material Options	
		Stainless Steel	Carbon Steel
1	Body	CF8M/DIN 1.4408	WCB/DIN 1.0619
2	Stem	SS316	SS316
3	Thrust Washer	Teflon	Teflon
4	O-Ring	Viton	Viton
5	Stem Packing	Graphite	Graphite
6	Gland	SS304	SS304
7	Disc Washer	SS301	SS301
8	Stem Nut	SS304	SS304
9	Nut Lock	SS304	SS304
10	Washer	Ss304	Ss304
11	Flange Cap	ASTM A351 Gr. CF8M	ASTM A216 Gr. WCB
12	Bolts	SS304	Carbon Steel
13	Gasket	Graphite	Graphite
14	Ball	SS316	SS316
15	Ball Seats	Teflon	Teflon
16	Stopper	SS304	SS304
17	Handle Nut	SS304	SS304
18	Handle	SS304	SS304
19	Handle Cover	Vinyl Plastisol	Vinyl Plastisol
20	Position Pin	SS304	SS304
21	Set Bolt	SS304	SS304
22	Lever Head	CF8	CF8
23	Lever	Steel Pipe	Steel Pipe

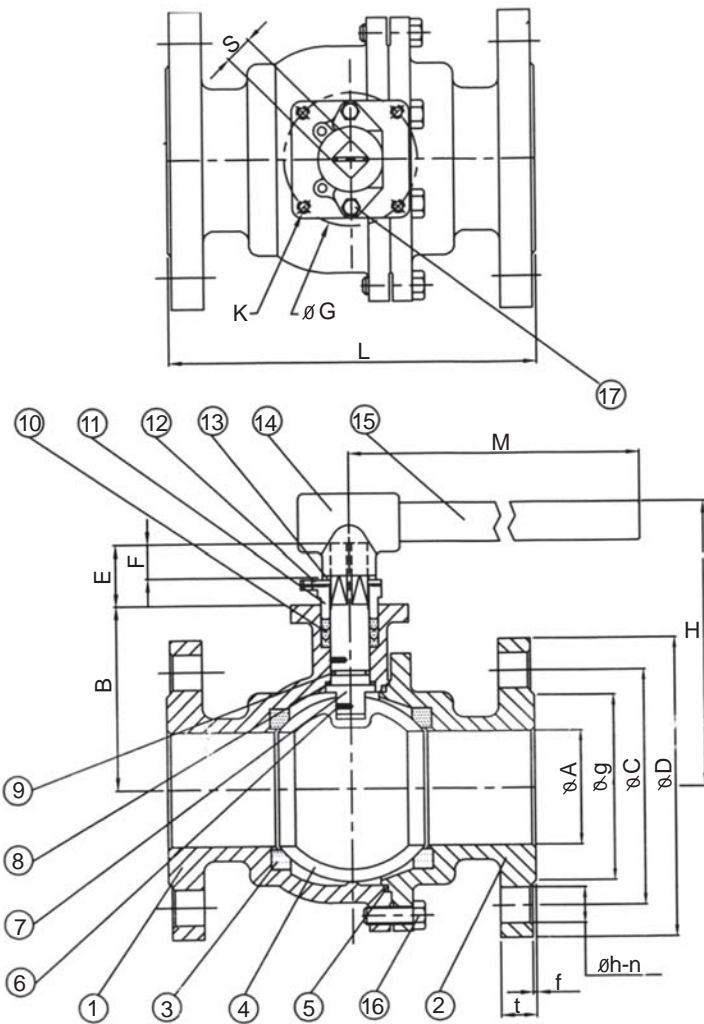
## Pressure/Temperature Chart



Size	A	B	E	L	H	K	M	F	G	d1	d2	D	Flange Dimensions (Class 150)					
													Bolt Hole			t	g	f
													c	h	n			
1/2"	15	48	11	108	9	80	130	36	42	6	6	89	60.5	16	4	11.5	35	1.6
3/4"	20	53	11	117	9	80	130	36	42	6	6	98	70	16	4	11.5	43	1.6
1"	25	59	14	127	11	90	165	42	50	6	7	108	79.5	16	4	11.5	51	1.6
1-1/4"	32	71	14	140	11	102	165	42	50	6	7	117	89	16	4	12.7	64	1.6
1-1/2"	36	76	18	165	14	110	205	50	70	7	9.2	127	98.5	16	4	14.3	73	1.6
2"	50	85	18	178	14	120	205	50	70	7	9.2	152	120.5	19	4	15.9	92	1.6
2-1/2"	65	93.5	23	190	17	140	300	70	102	9.2	11.4	178	139.5	19	4	17.8	105	1.6
3"	80	103	23	203	17	150	340	70	102	9.2	11.4	190	152.5	19	4	19.1	127	1.6
4"	100	132	25	229	22	180	420	102	125	11.4	13.5	229	190.5	19	8	24.0	127	1.6

# Engineering

## Dimensions (5" - 6")



## Materials of Construction

No.	Name of Parts	Standard Materials	Options
1	Body	A351 Gr. CF8M	A351 Gr.CF8/A216 Gr. WCB
2	End Cap	A351 Gr. CF8M	A351 Gr.CF8/A216 Gr. WCB
3	Ball Seats	PTFE	PTFE/ —
4	Ball	SS 316 or CF8M	SS 304 or CF8/ —
5	Gasket	PTFE	— / —
6	Anti-static	SS 316	— / —
7	Ste,	SS 316	SS 304/ —
8	Thrust Washer	PTFE	— / —
9	O-Ring	Viton	— / —
10	Stem Packing	PTFE	— / —
11	Gland	CF8	— / —
12	Stopper	SS 304	— / —
13	Stop Plate	SS 304	— / —
14	Handle Head	FCD45	— / —
15	Handle Tube	Carbon Steel	— / —
16	Hex Bolts	SS 304	— / Carbon Steel
17	Gland Bolt	SS 304	— / —

## Options

- Gear Operator
  - 5" - 6" (Solid ball)
  - 5" - 6" (Hollow ball)
- ANSI Class 150# Flange End
- Working pressure - 300 psi
- Shell test - 450 psi
- Seat Test - 80 psi
- Temperature range - 20°F ~ 400°F

Size	A	B	E	F	G	H	M	L	K	S	ANSI 150 (Flange)						
											D	C	n	h	g	t	f
5"	125	150	58	34	125	265	700	356	M12	28	254	190.5	8	22	186	23.9	1.6
6"	150	170	58	34	125	265	850	394	M12	28	279	241.5	8	22	216	25.4	1.6