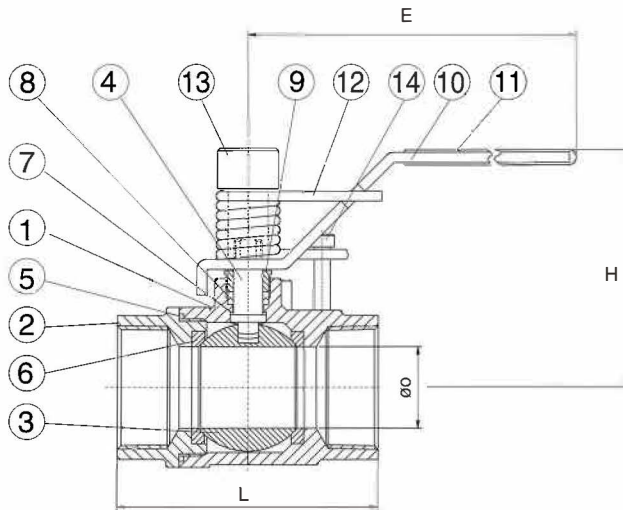
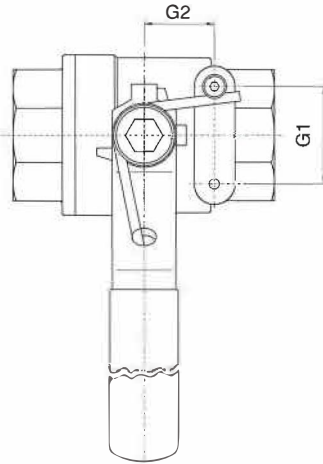


2-PC 2000 WOG STAINLESS STEEL BALL VALVE, REDUCED PORT, THREADED END, WITH SPRING RETURN HANDLE

MODEL: #5210



DIMENSIONS

(inch)

SIZE	ØD	E	H	L	G1	G2	T	LBS
1/4"	0.37	4.65	2.40	2.05	1.10	0.50	0.13	0.64
3/8"	0.37	4.65	2.40	2.05	1.10	0.50	0.14	0.64
1/2"	0.50	4.65	2.52	2.44	1.10	0.50	0.16	0.77
3/4"	0.59	5.43	3.35	2.72	1.38	0.88	0.20	1.15
1"	0.79	5.43	3.50	3.31	1.38	0.88	0.25	1.68
1 1/4"	0.98	7.05	3.41	3.54	1.50	1.00	0.26	2.73
1 1/2"	1.26	7.05	3.60	4.09	1.50	1.00	0.29	3.66
2"	1.50	8.50	4.13	4.61	1.50	1.00	0.31	5.16

MATERIAL LIST

NO.	QTY	PART NAME	MATERIAL
1	1	BODY	CF8M
2	1	END CAP	CF8M
3	1	BALL	SUS316
4	1	STEM	SUS316
5	1	BODYSEAL	PTFE
6	2	SEAT	R.PTFE
7	1	STEM SEAL	PTFE
8	1	STEM PACKING	PTFE
9	1	GLAND NUT	SUS304
10	1	HANDLE	SUS304
11	1	HANDLE SLEEVE	VINYL
12	1	SPRING	STEEL
13	1	BOLT	STEEL
14	1	STOPPER BOLT	STEEL